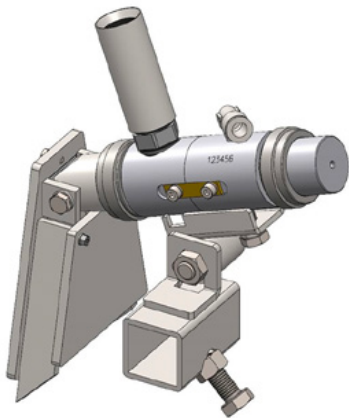


## Glass bead gun C29



Item number:

CMC-C29

Length:

210 mm

Width:

190 mm

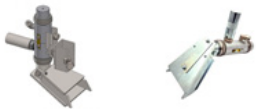
Height:

96 mm

Weight:

1.9 kg

Created on 31.07.2024



## Description

Automatic glass bead gun

Control pressure: 4 - 6 bar

Atomizer pressure: 1 - 6 bar

with 6 mm nozzle and diffuser

# Spare parts



## Pressurized Glass bead tank 38 Liter

Item number: CMC-SRSP38

Pressure tank for glass beads

Volume:

- 38 liters

For quick and easy application of glass beads or anti-skid materials.

---