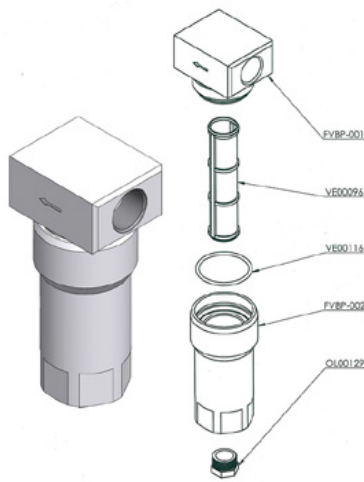


Low pressure color filter FVBP



Item number:

CMC-FVBP

Created on 23.02.2024

Description

Low-pressure color filter made of aluminum suitable for CMC marking machines.

Spare parts

Accessories/Extensions