

EN: Operating manual: (p. 3)

DE: Betriebsanleitung: (S. 29)

FR: Mode d'emploi: (pp. 55)

ES: Instrucciones de manejo: (pág. 81)



SC 25

VON ARX FLOOR SCRAPER



EN

**von
arx**®
TRUE QUALITY SINCE 1941

TABLE OF CONTENTS

- Notes for the user 5**
 - Before using5
 - Reading this Operating Manual.....5
 - Copyright ©5
 - Trade marks ®5
 - Patents.....5
 - Illustrations and technical modifications5
 - Translations.....5
 - Safekeeping5
 - Further information5
- Marked parts and lists in this Operating Manual..... 6**
 - Marked parts.....6
- Safety instructions 6**
 - NOTE: Hand-arm vibrations.....7
 - Use for the intended purpose8
 - Residual risk.....8
 - Safety and responsibility at work.....8
 - Further safety instructions8
- Field of application 8**
- Tools..... 9**
 - Blades9
 - Mounting the blades.....10
 - Mounting the chisel10
- Machine description and basic mode of operation 11**
 - Construction of the machine.....11
 - Function11
 - Operating the machine.....11
 - Transport the machine12
 - Maximum permitted inclination12
- Operation..... 12**
 - Commissioning12
 - Work preparation12
 - Blade angle adjustment.....13
 - Weight adjustment.....13
 - Start up and use13
 - Storing the machine.....14

Care and maintenance.....	14
Maintenance plan.....	14
Lubrication.....	14
Blade replacement.....	14
Wear.....	15
Repairs.....	15
Faults and troubleshooting.....	15
Machine does not start up.....	15
Low stripping capacity.....	15
Noises from the oscillating head.....	15
The machine/blade jumps from the floor when used.....	15
Technical specifications.....	16
List of spare parts.....	17
SC-25 floor scraper.....	17
Sliding set.....	19
Pin - Sliding set - 400129.....	19
Handle set top.....	19
Handle set top.....	20
Lever -drive adjustment.....	21
Chasis.....	22
Handle set-bottom.....	23
Electric switch assembled.....	23
Electric switch assembled.....	23
Electrical scheme.....	24
Electrical scheme.....	25
Warranty.....	26
EC Declaration of Conformity.....	27
in the sense of the EC machine directive 2006/42/CE.....	27

NOTES FOR THE USER

Before using

It is extremely important that you:

- Make sure that the package is complete and that you check for any possible damage caused during transit/transport.
- Observe the safety instructions.
- Read the Operating Manual

Reading this Operating Manual

If there are any questions on your part after reading this Operating Manual please get in touch with the manufacturer or the nearest service center. The manufacturer is not responsible for any damage or breakdown resulting from non-observance of the Operating Manual.

Copyright ©

The text and illustrations may not be copied or reproduced without the express permission of Von Arx EOOD.

Trade marks ®

The words “Von Arx” and the “Von Arx” logo are registered and internationally protected trade marks. Their use by third parties is prohibited!

Patents

Various components and processes listed and illustrated in this Operating Manual are patent pending or national and international patents have already been granted.

Illustrations and technical modifications

Illustrations may differ from the real machine and appear without any obligations on our part. In order to meet the rapidly changing customer demands, we reserve the right to make technical modifications without prior notice.

Translations

Solely the English version of this Operating Manual is legally binding. The English version of this manual is considered as the “Original instructions”.

Safekeeping

Please keep this Operating Manual in a safe place and available for the user.

Further information

Manufacturer:
Von Arx EOOD,
4000 Plovdiv
Telefon: +359 32 94 05 53
Country of origin: Bulgaria

MARKED PARTS AND LISTS IN THIS OPERATING MANUAL

Marked parts

Read and always observe the safety instructions in this Operating Manual! The safety instructions are marked like this:



Failing to observe an instruction marked with this sign may lead to serious injury or death.



Failing to observe an instruction marked with this sign may damage the machine or cause damage to property.



Marks any explanatory information or special instructions.

SAFETY INSTRUCTIONS



Keep your workstation tidy!

- Untidiness in your work area may be a cause for accidents!



Use caution!

- Always be aware of your actions. Use common sense during work. Do not operate the machine or the tool when distracted.



Avoid an unnatural posture!

- Be sure to stand firmly on the ground while you are working and keep your balance at all times.



Wear suitable protective clothing!

- Do not wear loose fitting clothing or jewelry, it might get caught by moving parts.
- Cover long hair with a hairnet.
- The machine operator must wear goggles, gloves, ear protectors and non-slip safety shoes.
- Wear a dust mask if the work generates dust.



Take your work environment into account!

- Never use the machine or the tool near explosive materials (the electric motor may give off sparks)!
- Never use an electric tool that is damp or wet (electric shock)!
- Protect the machine or the tool from moisture, water, extreme heat, extreme cold, chemical solutions and gases.



Keep other people away!

- Keep other people - especially children - away from the machine or the tool and the power cord.
- Keep other people out of your work area while you are working!



Check the machine or tool for potential damage!

- Prior to operating, safety devices or slightly damaged parts have to be inspected and their satisfactory operating function for the intended purpose to be assured.
- Damaged safety features and switches must be repaired or replaced by an authorized service center. Do not use the electric tool if switches cannot be switched on or off.









Do not carry!

- For safety and health reasons, the heavy machines must not be transported by hand.



Never leave a machine which is not in a safe state!

- Before leaving the machine, turn the motor off and remove the blade.
- Secure the machine by placing chocks under the wheels.
- Interrupt the ignition contacts or remove the mains plug.

- 
Do not remove protective devices!
 - Only operate the machine when all the protective devices fitted in the factory are mounted and in good working order.
- 
Only use on horizontal surfaces!
 - The floor scraper machine must only be used on horizontal surfaces.
 - Make sure that the back wheels rest firmly on the surface to be treated.
- 
Do not misuse the electrical power cord!
 - Do not use the cable to pull the plug out of the socket.
 - Protect the cable against heat, oil and sharp edges.
 - Lay the electric cable in such a way that it cannot be damaged by the working tools.
 - In the open air, use only specially authorized and suitably marked extension cables.
 - Use only electric cables with a suitable cross-section and the necessary length.
 - Unroll the extension cable completely from the cable drum.
- 
It is essential that you comply with the Operating Manual of the electric motor manufacturer and the following regulations!
 - When not in use, make sure that the machine is disconnected from the power supply.
 - Modifications to the electrical wiring which may be prejudicial to safety or change the original regulating and control functions are prohibited.
 - Repairs to the electrical wiring may only be performed by a qualified electrician.
- 
Do not remove guard devices!
 - Damaged protection devices on machines must be professionally repaired or replaced by a customer service workshop.
 - Operate the machine only if all the guard devices mounted in the factory are in place and in good working order!
 - Do not operate the machine unless the emergency stop switch is in working order.
- 
Operating location and workplace

When working with the machine, the machine operator will always stand behind the handlebar. From this position, he can permanently monitor and, if necessary, correct the work to be performed. Standing at this position, the machine operator can:

 - steer the machine
 - hold the machine back
 - actuate all the operating and control elements (such as the blade angle adjusting pedal, emergency stop) while the machine is in use.

NOTE: Hand-arm vibrations

Working with the SC-25 leads to vibration stressing. Please follow the legal provisions as regards the permitted operating time.

Safety stickers on the machine



Warning: sharp blade



Safety shoes must be worn



Warning: electric shock hazard



Study the Operating Manual



Ear protectors must be worn



Use protective goggles

Damaged or lost safety stickers must be replaced immediately! These stickers are obtainable from your Customer Service Center.

Use for the intended purpose

The machines are designed exclusively to treat horizontal floor coverings. Any other use does not correspond to the intended purpose. The manufacturer declines all liability for damage caused thereby (see also "Field of application" on page 8).

Residual risk

There is still a residual risk owing to differing characteristics of the floor coverings, even if the machine is used in accordance with applicable regulations.

If you detect irregular floor covering removal, you must adjust the blade angle to a suitable position and check the sharpening.

Safety and responsibility at work

- Make your contribution to safety at the workplace.
- Report any discrepancy deviating from normal working immediately to the responsible person.
- Perform all the work with an awareness of the need for safety.

Further safety instructions

Make sure to comply with your local or national regulations, standards and directives.

FIELD OF APPLICATION

A floor scraper machine is a hand guided motor driven power tool with an oscillating head which is designed to remove layers of flooring material. Its sharp blade is an effective tool for dislodging old flooring from the adhesive to leave a clean and smooth surface. The floor scraper with its different blades is designed for:

- Strip floor coverings
- Lift carpet tiles and foam backed carpets
- Remove felt, underlay
- Linoleum and vinyl flooring
- Cork tiles and matting
- Tiles, ceramics

The machine works off screed, latex, concrete or wood surfaces and will lift floor coverings leaving a minimum of residue and backing. It can also be used to create a distressed effect on hardwood flooring. The machine works under its weight on the floor and it is to be led by an operator.

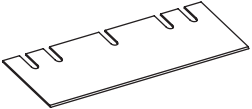
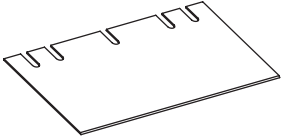
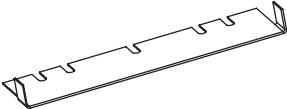
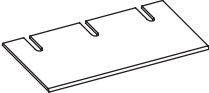
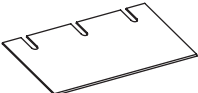
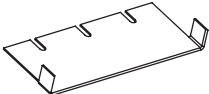
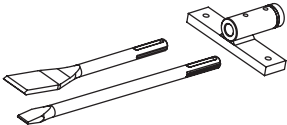


Use with tiles and ceramics only after implementing the chisel adapter and chisel. The machine should not be used for any other purpose than that stated above.

TOOLS

The right tool for your particular application can be best determined by tests. The following description only gives guide values. Always use the proper tools provided by the manufacturer to achieve the desired results.

Blades

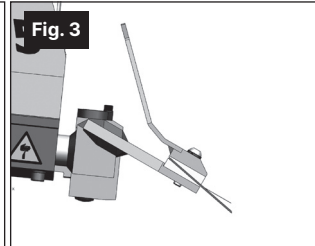
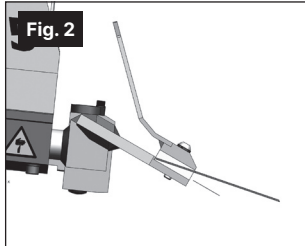
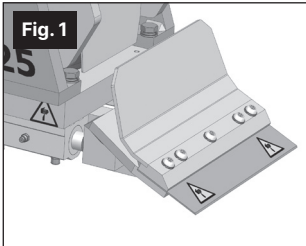
<p>Basic - 400123 (250×80×1.5 mm / 9.8×3.1×0.06")</p> <ul style="list-style-type: none"> • Strip floor coverings • Lift carpet tiles and foam backed carpets • Cork tiles and matting 	
<p>Long - 400238 (250×130×1.5 mm)</p> <ul style="list-style-type: none"> • Strip floor coverings • Lift carpet tiles and foam backed carpets • Cork tiles and matting 	
<p>U-Blade - 400213 (270×80×1.5 mm / 10.6×3.1×0.06")</p> <ul style="list-style-type: none"> • Remove felt, underlay • Linoleum and vinyl flooring • Matting 	
<p>Debris blade - 400217 (200×80×2.5 mm / 7.9×3.1×0.1")</p> <ul style="list-style-type: none"> • Hard glued floor coverings • Debris 	
<p>Optional: SC-20 Basic blade - 400110 (200×100×1.5 mm - 7.9×3.9×0.06")</p> <ul style="list-style-type: none"> • Strip floor coverings • Lift carpet tiles and foam backed carpets • Cork tiles and matting 	
<p>Optional: SC-20 U-Blade - 400215 (230×100×2 mm / 9.1×3.9×0.08")</p> <ul style="list-style-type: none"> • Remove felt, underlay • Linoleum and vinyl flooring • Matting 	
<p>Optional: Chisel set - 400253 (Chisel holder, Chisel: 25×280 mm / 0.98×11", Chisel: 50×300 mm / 1.98×11.8")</p> <ul style="list-style-type: none"> • Tiles • Parquet • Hard debris 	

Mounting the blades

The original package includes 1 pce of hex key 5 mm, 1 pce of basic blade and 2 pcs blade adapters.

Find the blade, the key and the adapters in the package.

1. Tip the machine and secure the tipped machine from tilting over.
2. Place the blade into the blade holder and secure it with the screws by using the hex key provided.
3. Mount the blade in neutral position without the adapters. (Fig. 1).
4. Use the adapters to set the blade into high (Fig. 2) or low (Fig. 3) positions.

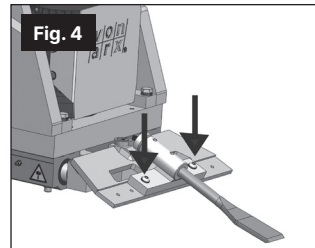


Mounting the chisel

The chisel set is ordered as an accessory.

The original package includes 1 pc of hex key 5 mm to be used for mounting.

- Find the chisel and the screws in the package.
- Tip the machine and secure the tipped machine from tilting over.
- Place the chisel into the chisel adapter and secure it with the screws by using the hex key provided.
- Remove the upper blade holder.
- Mount the chisel holder on the lower blade holder and use the screws to fasten it (Fig. 4).



MACHINE DESCRIPTION AND BASIC MODE OF OPERATION

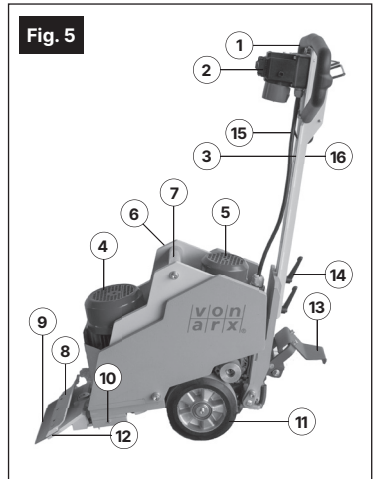
Construction of the machine

1. Handle grip - Retaining and guide handle for the machine.
2. Electric switch with plug - Switch for the electric motor. 2 positions: ON (Green button), OFF (Red button).
3. Handle bar - Adjusting the height of the handle.
4. Main motor - Responsible for moving the blade holder.
5. Drive motor - Responsible for driving the machine forward.
6. Side weights.
7. Transport handle.



Only used when the machine is turned off.

8. Blade holder - Used to hold firmly all types of blades for the machine.
9. Blade
10. Lubrication nipples - Used to lubricate the oscillating mechanism.
11. Wheels - 2 fixed rollers to guide the machine.
12. Blade angle adjustment mechanism - Used to adjust the blade into desired angle of operation.
13. Pedal set - Operating the forward drive of the machine.
14. Clamps - Fastening the handle bar after the height adjustment of the handle.
15. Electric cable
16. Product plate



Function

The machine can be fitted with different types of blades used for different types of flooring material to be removed. The oscillating head of the scraper can be driven by a range of motors. When guiding the machine forward the blade scrapes off the flooring material.

Operating the machine

- Angle adjustment - Adjust the angle of the blade in order to ensure the best stripping performance of the unit.
- Weight adjustment - Set the weight into the working position.
- Lock the pedal mechanism to engage the self-driven function if working continuously forward.
- Starting - Press the green button on the switch.
- Feeding - The machine operator must guide the machine at the handle bar operating the starting lever on the handle to drive forward. The machine operator steers the machine in cutting direction over the floor surface to be worked on. The machine is pressed against the floor and the blade scrapes off the flooring material.
- Switching off - Press the red button on the switch.

Transport the machine

1. Remove the blade.
2. Set the weight into the transport position. Due to its weight the machine has to be lifted by a crane. (Fig. 6).



Never grab the blade or the blade holder!



The blade should be dismantled prior to transporting. There is a big danger for the operators leaving the blade on the machine during transportation.

Maximum permitted inclination

Do not tilt the machine in any of the side directions. Due to its short base, any inclination can cause a disbalance of the machine and the performance.

OPERATION

Commissioning

Read the following assembly instructions completely before assembling our product.

- Set the handle bar to the proper height which ensures the right body posture by sliding it into the slot on the machine.
- Secure the handle bar with the clamps (Fig. 8).
- Place the blade into the blade holder and secure it with the 5 screws provided (Fig. 9).

The Schuko plug (16 A) is also supplied for countries in which this plug system has not been introduced. An extension cable must be available for connection to the machine. Unroll the extension cable completely from the cable drum. Use only permitted extension cables (max. 30 m).

Work preparation



The machine should be disconnected from the power source before performing any kind of work.

Check your machine for damage.



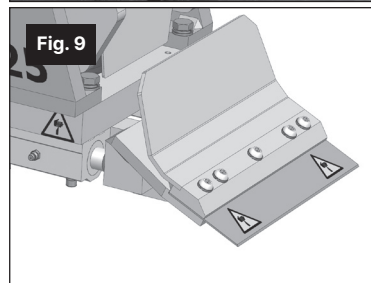
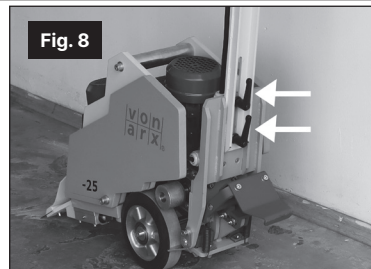
Check whether moving parts are in working order.



Damaged protection devices and parts must be expertly repaired or replaced by a customer service workshop.



Ensure that the machine is completely turned off and at a complete stop prior to adjusting the unit. Disconnect the machine from the power source. Use work gloves for your own safety.



Blade angle adjustment

Adjust the angle of the blade in order to ensure the best stripping performance of the unit.



If the blade jumps from the floor the angle may be too shallow.



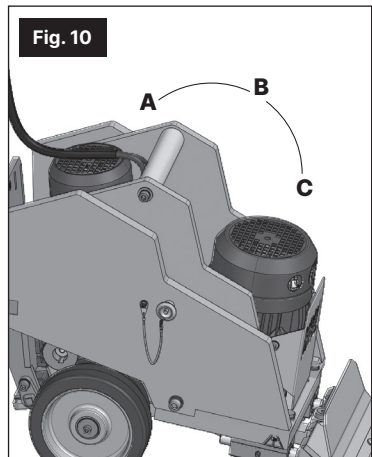
Using an angle that is too steep may cause damage to the floor.



Ensure that the machine is completely turned off and at a complete stop prior to adjusting the unit. Disconnect the unit from the power source.

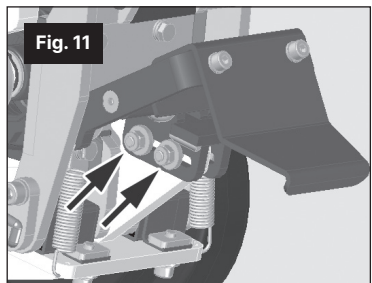
Weight adjustment

- The weight has 3 different positions for specific use.
 - Storage position (A) - set the weight into this position when the machine is out of use.
 - Transport position (B) - set the weight into this position when the machine is transported. The handle can be used as an attachment point for cranes.
 - Working position (C) - set the weight into this position before you start working with the machine.
- The weight is secured with a positioning pin which is secured with a safety pin.
- Push the safety pin and pull the positioning pin out from the whole to be able to change the position of the blade.
- Push back the positioning pin after you set the weight into the desired position and release the safety pin.



Start up and use

- Before starting the machine put on all necessary protective devices as recommended in "Safety instructions" on page 6.
- Plug the machine into the proper power supply and press the green button on the upper handle bar. Be prepared that the blade will start moving immediately.
- Activate the forward traction of the machine by:
 - Locking the pedal for continuous traction forward and adjust the pressure on the wheels from the pedal mechanism if needed (Fig. 11).
 - Pushing the handle bar forward with released pedal at all times during operation to activate the worm gear. (Releasing the pedal is performed by pushing the handle bar harder forward until it unlocks.)
- Move the machine forward into the coverings. The oscillating blade should slice under the material and remove it from the floor.
- If the drive motor does not provide enough force when removing hard glued coverings, the user needs to push harder the machine forward with released pedal.



Never force the machine. If the machine is forced too hard manually, the drive motor will stop and/or damage. Backward movement of the machine is to be done manually with released pedal.



Never let the rear wheels leave the floor because it is dangerous for the user and the machine may be damaged (Fig. 8)!

- If you are having difficulties removing the material, use the corner of the blade.
- Press the red button on the upper handle to stop the machine.

Storing the machine

The machine should be cleaned immediately after each use.

Ensure that the storage area is well-ventilated, dry, covered or indoor, free of any potential fire hazards and the temperature is above freezing for increased protection and longevity of the unit.

Clean the wheels and body, and lubricate the machine prior to storage.

Secure when transporting with straps or with cable hooks.

CARE AND MAINTENANCE

Maintenance plan

The machine has been specially designed to reduce the time needed for maintenance work to a minimum. However, some maintenance work is essential.

This will enable the machine to operate in a trouble-free manner and give you good service for many years.



Always interrupt the energy supply before performing maintenance work!

- Remove the mains plug!
- Allow the motor to cool down fully.

Daily or after every 10 hours of operation:

- Clean the outside of the machine.



Do not use solvents.

- Check the condition of the blade.

Weekly or after every 50 hours of operation:

- Check the bearings (Arrange for after-sales service to change damaged bearings.)
- Check screwed connections (Tighten any loose screwed connections, arrange for after-sales service to change any damaged assemblies.)

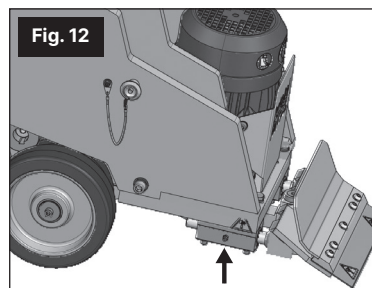
Lubrication

The machine has to be lubricated on a daily basis before starting the operation (Fig. 12). The lubricator nipples are located on the side of the main body. Press maximum 3 to 4 times with the grease gun. Never press too much grease into the machine.

Blade replacement

Ensure that the floor scraper is completely turned off, cooled, and at a complete stop prior to maintaining the unit. Disconnect the unit from the power source. Use work gloves for your own safety.

- Tip the machine and secure the tipped machine from tilting over.
- Clean and loosen the screws securing the blade into the blade holder.
- Remove the used blade.
- Place the new blade into the blade holder and secure it with the screws.



Wear

All the blades are subject to wear and will be worn out after a given period of use. They must then be replaced.



Worn blades could brake and cause serious damage and/or injury!

The service life of the individual components varies. Apart from wear caused by operating use, it also depends on the type and characteristics of the material of the surface to be treated and on the requisite power during use.

Changing parts subject to wear

Only use original Von Arx EOOD spare parts or the replacement parts indicated in the parts lists.

REPAIRS

Only use original Von Arx EOOD spare parts or the replacement parts indicated in the parts lists.



Alterations to the electrical wiring are prohibited!

FAULTS AND TROUBLESHOOTING

Machine does not start up

- Check the power supply to be connected to the electric network.
- Check the main switch. Replace if needed.

Low stripping capacity

- Check the edge of the blade. Worn out blade significantly decreases the stripping capacity. Replace if needed.

Noises from the oscillating head

- Lubricate the bearings if needed.
- Check the blade holder fasteners.

The machine/blade jumps from the floor when used.

- Check the blade angle. If the blade jumps from the floor the angle may be too shallow. Using an angle that is too steep may cause damage to the floor. Set the blade angle carefully.

TECHNICAL SPECIFICATIONS

General	
Serial number	aaa.bb.cc.xyz aaa = Type, bb = Model year, cc = Month, xyz = consecutive
Weight	155 kg / 342 lbs
Dimensions	500 × 1120 × 825 mm / 19.7 × 44.1 × 32.5"
Working width	250 - 270 mm / 9.8 - 10.6"
Distance to wall	110 mm / 4.3" (basic blade)
El. motor size	90 L
Power	1.5 kW
Motor speed	2800 RPM
Machine speed	10.6 m (34") / min
Motor protection switch	25 A / 115 V, 13.5 A / 230 V
Sound pressure level	≤ 90.5 db(A)
Acoustic power level	≤ 98.0 db(A)
Vibration level	8.8 m/s ²
Protection type	IP 55

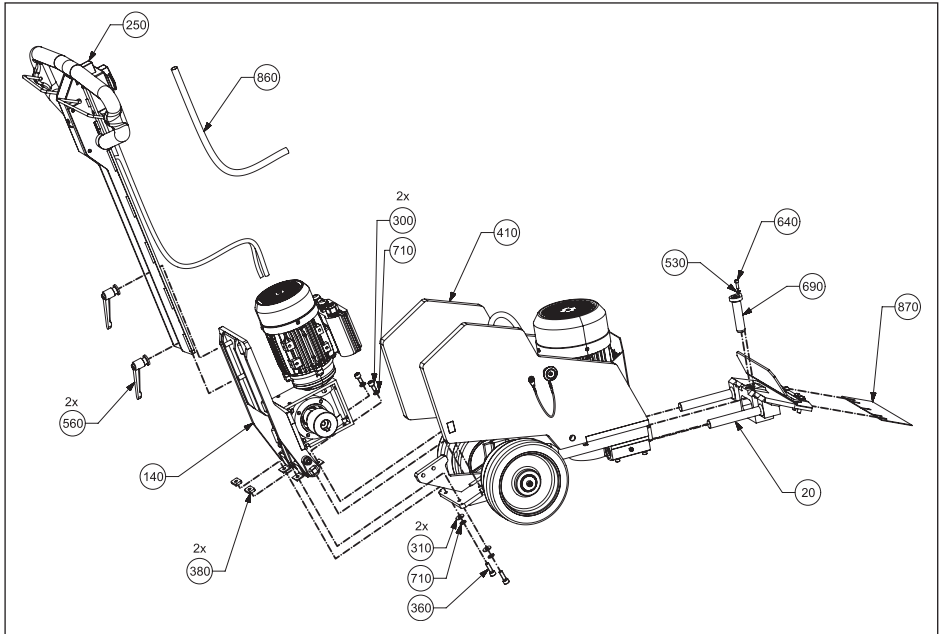
Article code	Power	Consumption
800074	230 V / 50 Hz	10.9 A
800081	115 V / 50 Hz	22.4 A
800082	230 V / 60 Hz	10.9 A

LIST OF SPARE PARTS

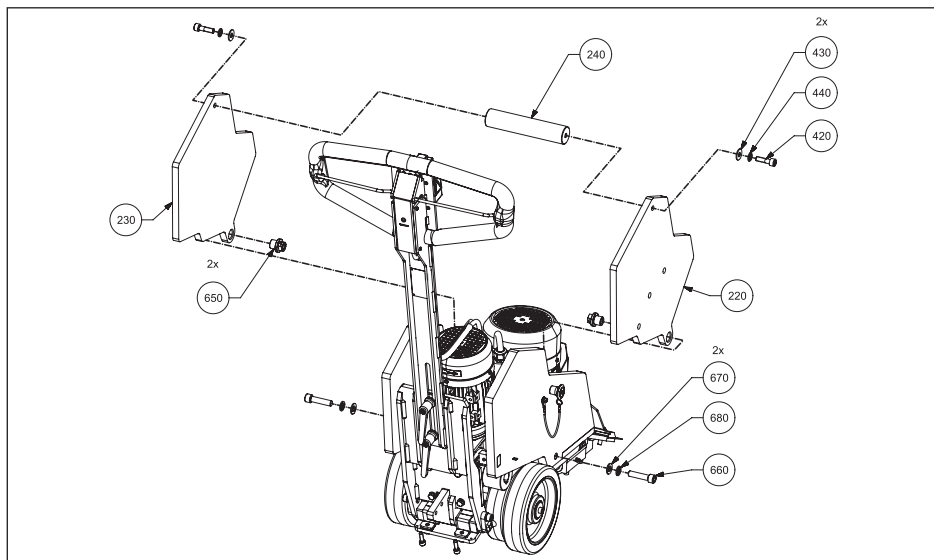
! Only use original Von Arx EOOD spare parts or the replacement parts indicated in the parts list.

SC-25 floor scraper

Machine versions: **A) - 800074:** 230 V / 50 Hz, **B) - 800081:** 115 V / 50 Hz, **C) - 800082:** 230 V / 60 Hz

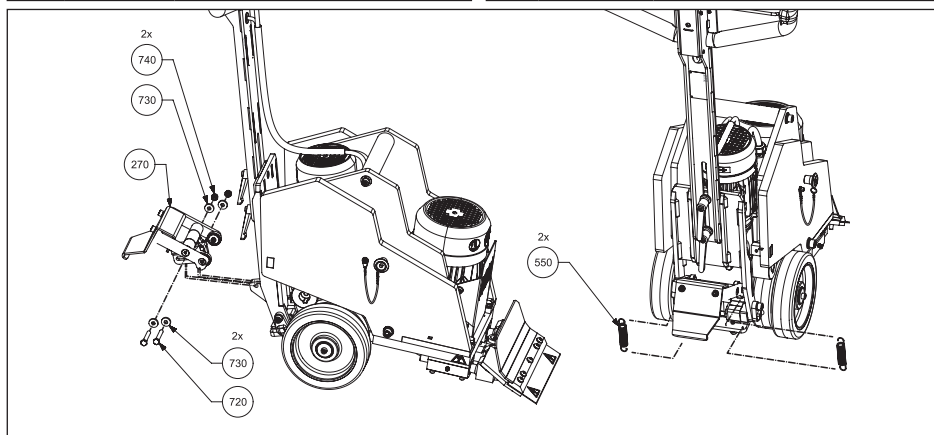


No	Article	Part Name	Machine V.	No	Article	Part Name	Machine V.
250	400083	HANDLE SET	A	640	100595	SCREW	
250	400509	HANDLE SET	B	870	400123	BLADE	
250	400514	HANDLE SET	C	20	400024	SLIDING SET	
860	900450	CABLE WRAP		360	105923	SCREW	
300	100286	SCREW		710	100618	WASHER	
710	100618	WASHER		310	300010	WASHER	
410	400101	CHASSIS	A	380	400099	PLATE	
410	400510	CHASSIS	B	140	400151	HANDLE SET	A
410	400511	CHASSIS	C	140	400506	HANDLE SET	B
530	104727	WASHER		140	400507	HANDLE SET	C



No	Article	Part Name
240	400081	HANDLE
430	300015	WASHER
440	104715	WASHER
420	300018	SCREW
220	400079	SIDE RIGHT

No	Article	Part Name
670	100129	WASHER
680	110537	WASHER
660	300101	SCREW
650	400154	BUSHING
230	400078	SIDE LEFT



No	Article	Part Name
740	100263	NUT
730	300086	WASHER
270	400089	LEVER

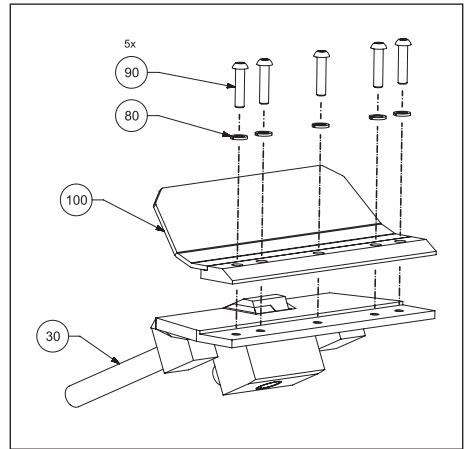
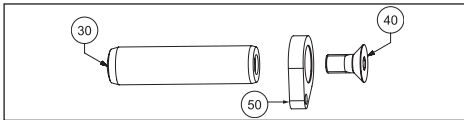
No	Article	Part Name
720	109740	BOLT
550	400122	SPRING

Sliding set

No	Article	Part Name
30	400034	BLADE HOLDER
80	100618	WASHER
90	300178	SCREW
100	400183	BUFFER

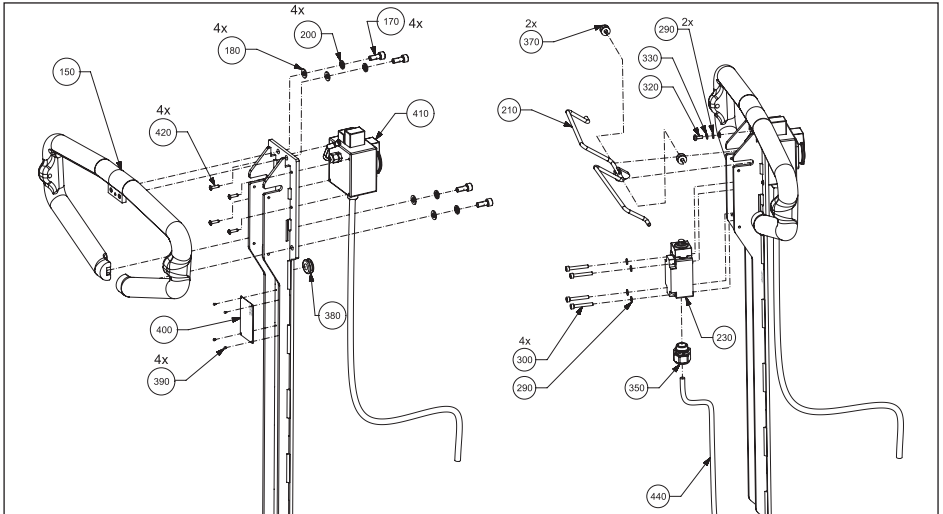
Pin - Sliding set - 400129

No	Article	Part Name
30	400034	BLADE HOLDER
80	100618	WASHER
90	300178	SCREW



Handle set top

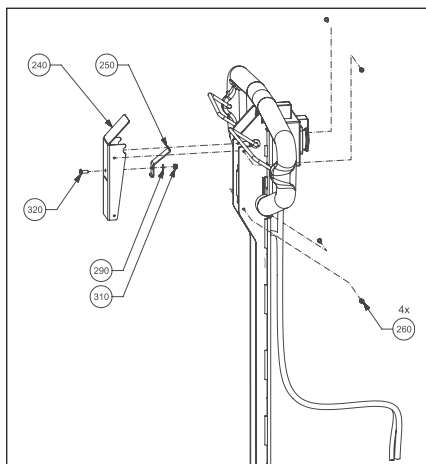
Machine versions: **A) - 800074:** 230 V / 50 Hz, **B) - 800082:** 230 V / 60 Hz



No	Article	Part Name
110	400131	HANDLE SET
150	400197	HANDLEBAR
170	100598	SREW
180	101670	WASHER
200	100618	WASHER
210	400199	LEVER
230	900402	SWITCH
290	100609	WASHER
300	103562	SCREW

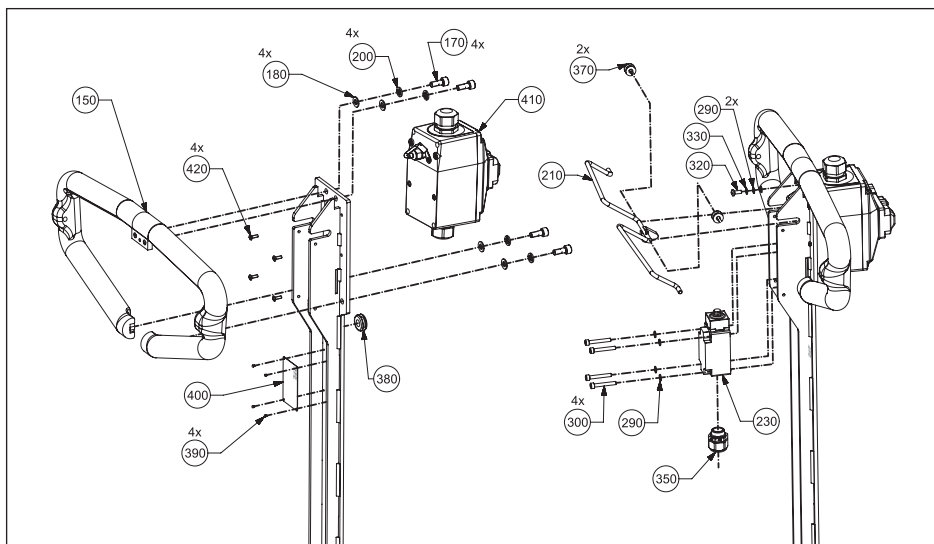
No	Article	Part Name	Machine V.
330	104727	WASHER	
350	114813	CABLE GLAND	
370	400209	BUSHING	
380	300164	OPEN GROMMET	
390	300165	SCREW	
400	703559	PLATE	
410	400270	SWITCH (400083)	A
410	400515	SWITCH (400514)	B
420	300083	SCREW	

No	Article	Part Name
240	400147	COVER
250	400148	SPRING
260	300094	SCREW
290	100609	WASHER
310	106665	NUT
320	300085	SCREW



Handle set top

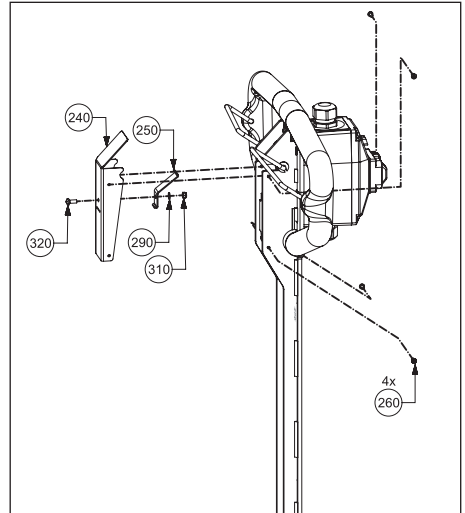
Machine version: **800081**: 115 V / 50 Hz



No	Article	Part Name
110	400131	HANDLE SET
150	400197	HANDLEBAR
170	100598	SREW
180	101670	WASHER
200	100618	WASHER
210	400199	LEVER
230	900402	SWITCH
300	103562	SCREW

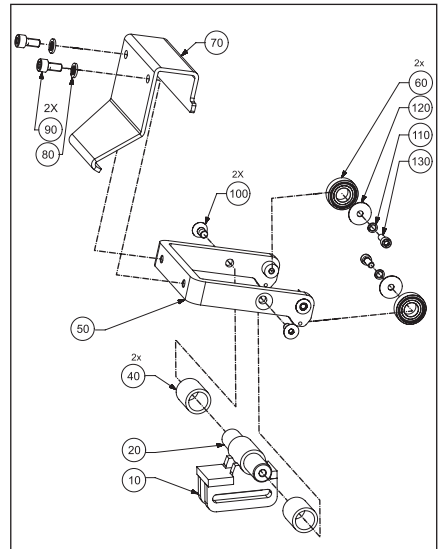
No	Article	Part Name
330	104727	WASHER
350	114813	CABLE GLAND
370	400209	BUSHING
380	300164	OPEN GROMMET
390	300165	SCREW
400	703559	PLATE
410	400508	SWITCH
420	300084	SCREW

No	Article	Part Name
240	400147	COVER
250	400148	SPRING
260	300094	SCREW
290	100609	WASHER
310	106665	NUT
320	300085	SCREW



Lever -drive adjustment

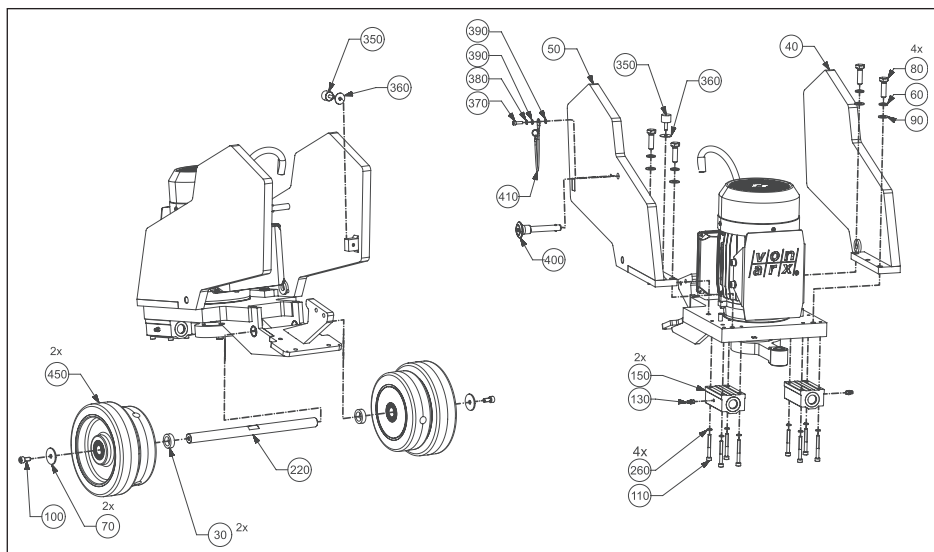
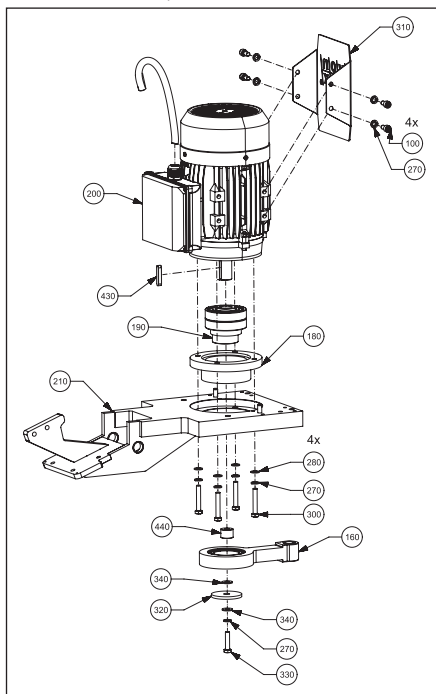
No	Article	Part Name
10	400086	BRACKET
20	400090	SHAFT
40	400092	SPACER
50	400094	LEVER
60	300042	BEARING
70	400100	PLATE
80	100618	WASHER
90	100286	SCREW
100	101669	SCREW
110	100302	WASHER
120	300103	WASHER
130	100301	SCREW



Chasis

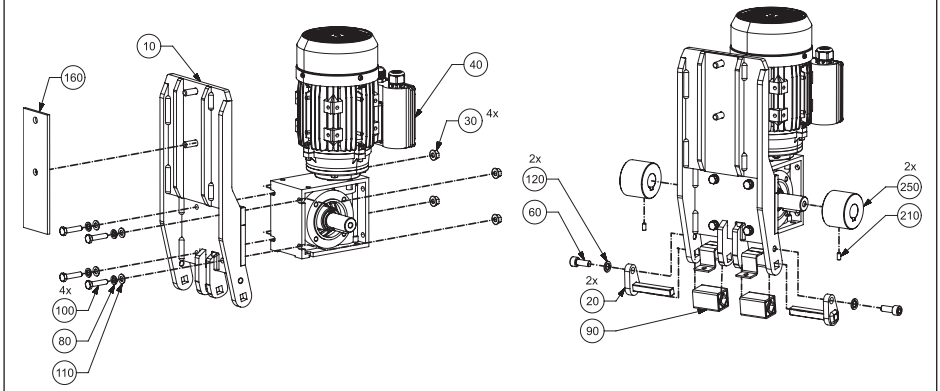
Machine versions: **A) - 800074:** 230 V / 50 Hz, **B) - 800081:** 115 V / 50 Hz, **C) - 800082:** 230 V / 60 Hz

No	Article	Part Name	Machine V.
30	400063	SPACER	
40	400064	SIDE LEFT	
50	400068	SIDE RIGHT	
130	300046	OIL NIPPLE	
150	300045	LINEAR BEARING	
180	400062	INSERT	
190	400059	ECCENTER	
200	900307	ELECTRIC MOTOR (400101) A	
200	900435	ELECTRIC MOTOR (400510) B	
200	900627	ELECTRIC MOTOR (400511) C	
210	400195	BASE FRAME	
220	400052	AXLE	
320	400155	WASHER	
340	300010	WASHER	
350	300107	RUBBER BUFFER	
360	300103	WASHER	
370	100595	SCREW	
380	104727	WASHER	
390	100609	WASHER	
400	300108	LOCK PIN	
410	300099	RETAINING CABLE	
440	400200	SPACER	
450	400241	WHEEL	
100	100286	SCREW	
270	100618	WASHER	
430	108006	PARALLEL KEY	



Handle set-bottom

Machine versions: **A) - 800074:** 230 V / 50 Hz, **B) - 800081:** 115 V / 50 Hz, **C) - 800082:** 230 V / 60 Hz

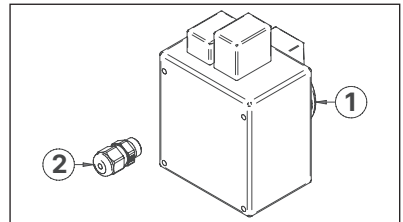


No	Article	Part Name	Machine V.	No	Article	Part Name	Machine V.
250	400189	WHEEL		60	300006	SCREW	
240	300043	BRACKET		20	400152	AXLE	
10	400071	HANDLE SET		80	100618	WASHER	
90	300044	SUSPENSION		30	300089	NUT	
40	400139	ELECTRIC MOTOR (400151)	A	100	106706	BOLT	
40	400504	ELECTRIC MOTOR (400506)	B	110	101670	WASHER	
40	400505	ELECTRIC MOTOR (400507)	C	160	400124	ADAPTER	
120	104715	WASHER		210	300013	SETSCREW	

Electric switch assembled

Machine versions: **A) - 800074:** 230 V / 50 Hz, **B) - 800082:** 230 V / 60 Hz

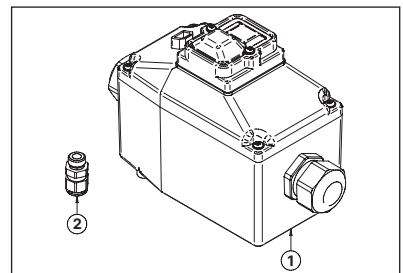
No	Article	Part Name	Machine V.
1	109373	SWITCH ASSEMBLED 230 V (400270)	A
1	900057	SWITCH ASSEMBLED 230 V (400515)	B
2	300071	SCREWED CABLE GLAND M12 PLAST	



Electric switch assembled

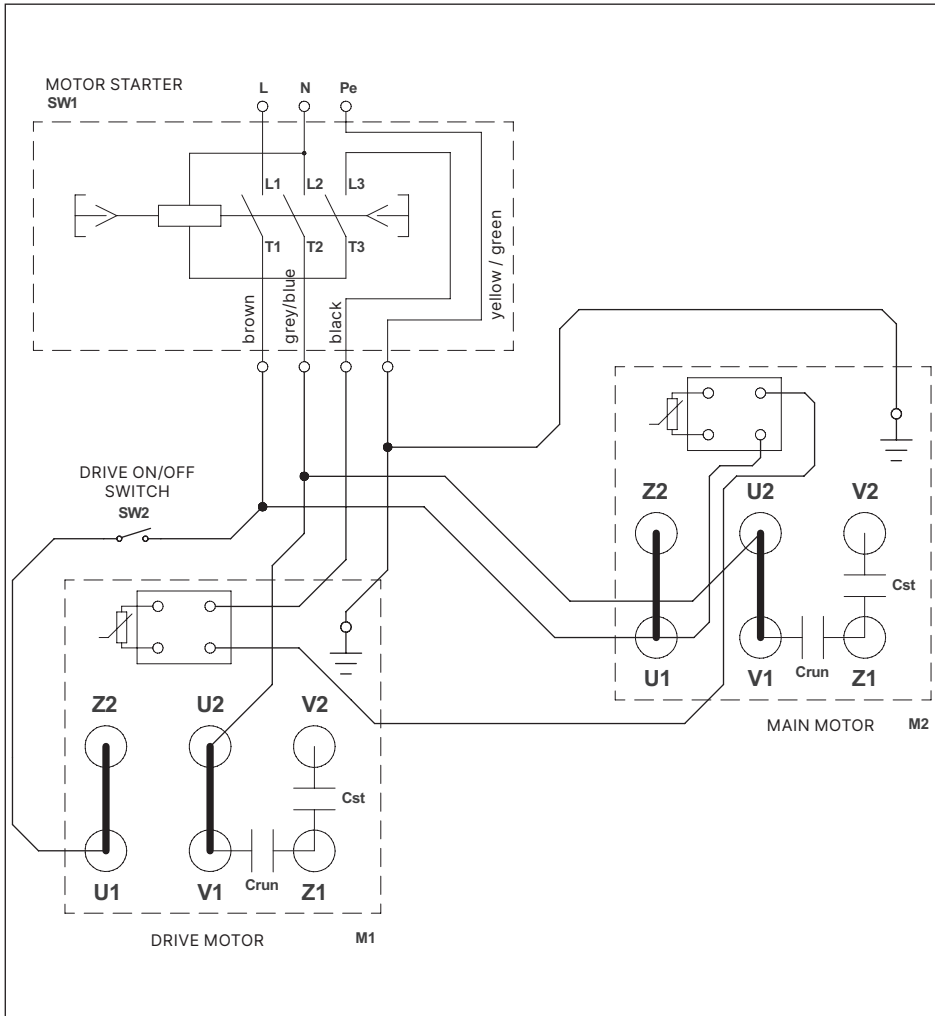
Machine version: **800081:** 115 V / 50 Hz

No	Article	Part Name
1	900282	SWITCH ASSEMBLED 115 V (400508)
2	300071	SCREWED CABLE GLAND M12 PLAST



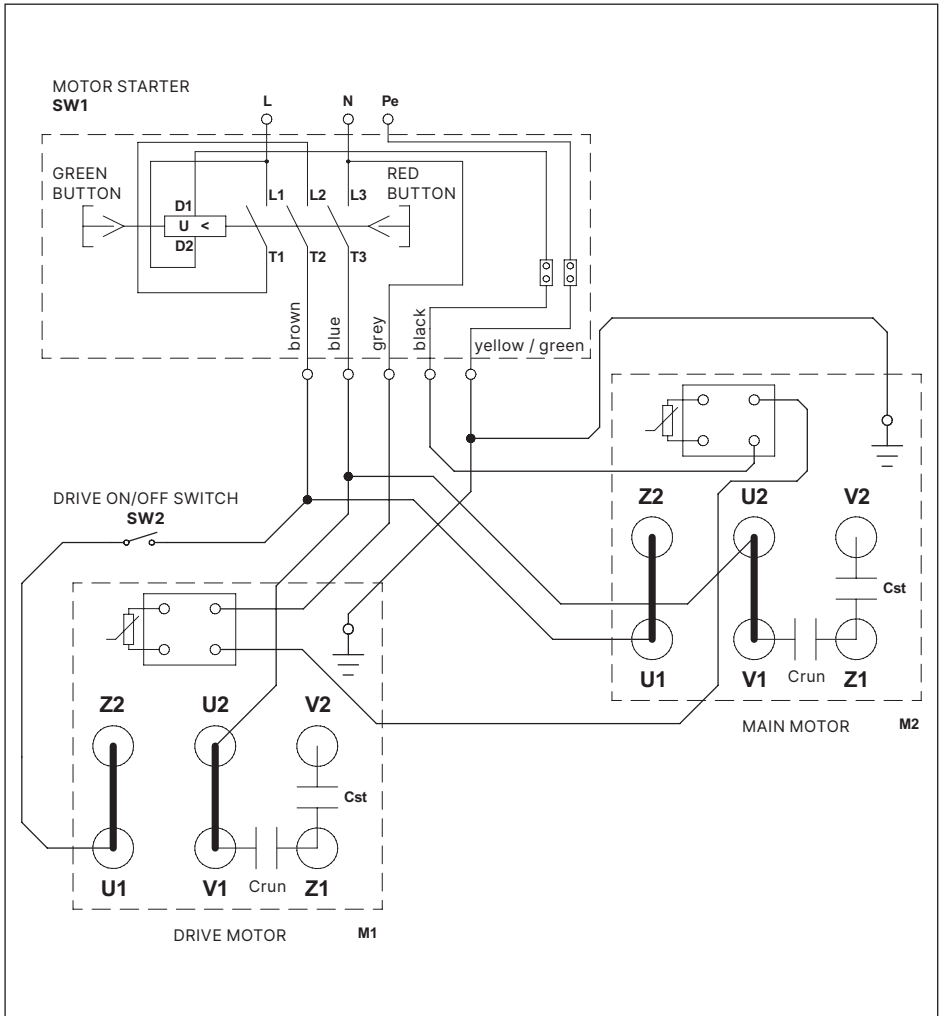
Electrical scheme

Machine versions: **A) - 800074:** 230 V / 50 Hz, **B) - 800082:** 230 V / 60 Hz



Electrical scheme

Machine version: **800081**: 115 V / 50 Hz



WARRANTY

Von Arx EOOD guarantees perfect operation of the unit for a period of 24 months from the date of purchase. If the product is used in shift operation this warranty period is halved.

Von Arx EOOD checks all units to ensure they are complete and operating correctly before they leave the works.

The customer must check the machine for any defects or damage in transit immediately on receipt and must inform the sales center and the forwarding agent of any damage or defect without delay.

Von Arx EOOD undertakes to correct all faults demonstrably due to defective materials or workmanship within the stated warranty period as quickly as possible or will arrange repair through an official Von Arx Service and sales center.

No liability whatsoever can be accepted for damage due to incorrect handling, disregarding this Operating Manual, overloading, unsuitable use, incorrect maintenance or natural wear and tear. Repairs or modifications made by the purchaser or third parties without our permission in writing are the responsibility of the customer and immediately void our warranty.

In addition, no claim can be considered under the warranty if any parts other than those manufactured or recommended by Von Arx EOOD are used.

Blades are parts subject to wear and, owing to this, are not covered by warranty.

Von Arx EOOD cannot be held liable for any damage or loss incurred by the purchaser directly or indirectly (consequential loss, loss of profit, extra costs, etc.).

Bought parts such as engines, motors, switches etc. are guaranteed within the warranty determination of the corresponding suppliers.

To prove qualification for a warranty you will need the warranty card and a corresponding commercial invoice of your sales center.

EC DECLARATION OF CONFORMITY

in the sense of the EC machine directive 2006/42/CE

We declare that the tool listed below conforms with the relevant, basic health and safety requirements of the EC Directive on the grounds of its design and construction and with the model put on the market by our company. Any modification of the tool without our consent causes this Declaration to be void.

Applied Standards:

EN ISO 12100:2011, EN 60204-1:2019

Designation of the unit:

Floor scraper machine

Type

SC 25 (230 V, 115 V)

Von Arx EOOD, 4000 Plovdiv / Bulgaria**Fredrik Åkermark**

Owner

Plovdiv, 13 September 2021

Responsible for technical documentation:

eng. Maria Spasova

Manufacturer

Von Arx EOOD
Nedyalka Shileva 20 str.
4000 Plovdiv, Bulgaria
Tel: +359 32 94 05 53
Email: order@vonarx.com
www.vonarx.com



EN: Operating manual: (p. 3)

DE: Betriebsanleitung: (S. 29)

FR: Mode d'emploi: (pp. 55)

ES: Instrucciones de manejo: (pág. 81)



SC 25

VON ARX BODENABSTREIFER



DE

**von
arx**®
TRUE QUALITY SINCE 1941

INHALTSVERZEICHNIS

Hinweise für den Benutzer	32
Vor der Verwendung	32
Durchlesen dieser Betriebsanleitung	32
Copyright ©	32
Markenzeichen ®	32
Patente	32
Abbildungen und technische Änderungen.....	32
Übersetzungen	32
Sichere Aufbewahrung	32
Weitere Informationen.....	32
Gekennzeichnete Teile und Listen in dieser Betriebsanleitung	33
Gekennzeichnete Teile.....	33
Sicherheitshinweise	33
HINWEIS: Hand-Arm-Vibrationen	34
Verwendung für den vorgesehenen Zweck.....	35
Restrisiko.....	35
Sicherheit und Verantwortung bei der Arbeit.....	35
Weitere Sicherheitshinweise	35
Anwendungsbereich	35
Werkzeuge	36
Klingen.....	36
Montage der Klingen.....	37
Montage des Meißels.....	37
Maschinenbeschreibung und grundlegende Funktionsweise	38
Aufbau der Maschine.....	38
Funktion.....	38
Bedienung der Maschine	38
Transport der Maschine.....	39
Maximal zulässige Neigung	39
Betrieb.....	39
Inbetriebnahme	39
Arbeitsvorbereitung	39
Einstellung des Klingenwinkels	40
Anpassung des Gewichtes.....	40
Starten und Verwenden.....	40
Lagerung der Maschine.....	41

Instandhaltung und Wartung.....	41
Wartungsplan.....	41
Schmierung.....	41
Ersatz der Klinge.....	41
Verschleiß.....	42
Reparaturen	42
Störungen und Fehlerbeseitigung.....	42
Die Maschine startet nicht	42
Geringe Abstreifkapazität.....	42
Geräusche aus dem Schwingkopf	42
Die Maschine/Klinge springt beim Einsatz vom Boden ab.....	42
Technische Daten	43
Ersatzteilliste	44
SC-25 Bodenabstreifer.....	44
Schiebesatz	46
Griff-Satz oben	46
Griff-Satz unten	47
Hebel-Antriebseinstellung.....	48
Chassis	49
Griffgarnitur - unten	50
Montierter elektrischer Schalter	50
Montierter elektrischer Schalter	50
Elektrische Schemen.....	51
Elektrische Schemen.....	52
Garantie.....	53
EG-Konformitätserklärung	54
im Sinne der EG-Maschinenrichtlinie 2006/42/CE	54

HINWEISE FÜR DEN BENUTZER

Vor der Verwendung

Es ist sehr wichtig, dass Sie:

- sich vergewissern, dass die Packung vollständig ist und dass Sie diese auf eventuelle Transportschäden überprüfen.
- die Sicherheitshinweise beachten.
- die Betriebsanleitung lesen

Durchlesen dieser Betriebsanleitung

Sollten Sie nach dem Durchlesen dieser Betriebsanleitung noch Fragen haben, wenden Sie sich bitte an den Hersteller oder an das nächstgelegene Servicezentrum. Der Hersteller haftet nicht für Schäden oder Ausfälle in Folge aus der Nichtbeachtung der Hinweise in dieser Betriebsanleitung.

Copyright ©

Die Texte und Abbildungen dürfen ohne ausdrückliche Genehmigung von Von Arx EOOD weder kopiert noch vervielfältigt werden.

Markenzeichen ®

Der Wortlaut "Von Arx" und das "Von Arx"-Logo sind eingetragene und international geschützte Marken. Ihre Verwendung durch Dritte ist untersagt!

Patente

Verschiedene in dieser Betriebsanleitung aufgeführte und abgebildete Komponenten und Verfahren sind zum Patent angemeldet oder bereits national und international patentiert.

Abbildungen und technische Änderungen

Abbildungen können von der wirklichen Maschine abweichen und erscheinen ohne jegliche Verpflichtung unsererseits. Um den sich schnell ändernden Kundenanforderungen nachzukommen, behalten wir uns das Recht vor, technische Änderungen ohne vorherige Ankündigung vorzunehmen.

Übersetzungen

Rechtsverbindlich ist ausschließlich die englische Fassung dieser Betriebsanleitung. Die englische Fassung dieser Betriebsanleitung gilt als "Originalanleitung".

Sichere Aufbewahrung

Bitte bewahren Sie diese Bedienungsanleitung an einem sicheren Ort auf und für den Benutzer zugänglich auf.

Weitere Informationen

Hersteller:
Von Arx EOOD,
4000 Plovdiv
Telefon: +359 32 94 05 53
Herkunftsland: Bulgarien

GEKENNZEICHNETE TEILE UND LISTEN IN DIESER BETRIEBSANLEITUNG

Gekennzeichnete Teile

Lesen und beachten Sie unbedingt die Sicherheitshinweise in dieser Betriebsanleitung! Die Sicherheitshinweise sind wie folgt gekennzeichnet:



Die Nichtbeachtung eines mit diesem Zeichen gekennzeichneten Hinweises kann zu schweren Verletzungen oder zum Tod führen.



Die Nichtbeachtung eines mit diesem Zeichen gekennzeichneten Hinweises kann zu Schäden an der Maschine oder zu Sachschäden führen.



Kennzeichnen Sie alle erläuternden Informationen oder besonderen Anweisungen.

SICHERHEITSHINWEISE



Sorgen Sie für einen aufgeräumten Arbeitsplatz!

- Unordnung in Ihrem Arbeitsbereich kann zu Unfällen führen!



Vorsicht!

- Achten Sie stets auf Ihre Handlungen. Während der Arbeiten den gesunden Menschenverstand benutzen. Bedienen Sie die Maschine oder das Werkzeug nicht, wenn Sie abgelenkt sind.



Vermeiden Sie eine unnatürliche Körperhaltung!

- Achten Sie darauf, dass Sie während der Arbeit fest auf dem Boden stehen und jederzeit das Gleichgewicht behalten.



Tragen Sie geeignete Schutzkleidung!

- Tragen Sie keine lose Kleidung und keinen Schmuck, da sich dieser an beweglichen Teilen verfangen könnte.
- Bedecken Sie langes Haar mit einem Haarnetz.
- Der Maschinenbediener muss Schutzbrille, Handschuhe, Gehörschutz und rutschfeste Sicherheitsschuhe tragen.
- Tragen Sie eine Staubschutzmaske, wenn bei der Arbeit Staub entsteht.



Berücksichtigen Sie Ihr Arbeitsumfeld!

- Verwenden Sie die Maschine oder das Werkzeug niemals in der Nähe von explosiven Materialien (der Elektromotor kann Funken erzeugen)!
- Verwenden Sie niemals ein Elektrowerkzeug, das feucht oder nass ist (elektrischer Schlag)!
- Schützen Sie die Maschine oder das Werkzeug vor Feuchtigkeit, Wasser, extremer Hitze, extremer Kälte, chemischen Lösungen und Gasen.



Andere Personen fernhalten!

- Halten Sie andere Personen, insbesondere Kinder, von der Maschine oder dem Werkzeug und dem Netzkabel fern.
- Während der Arbeit sollten Sie andere Personen von Ihrem Arbeitsbereich fernhalten!



Überprüfen Sie die Maschine oder das Werkzeug auf mögliche Schäden!

- Vor der Inbetriebnahme sind Sicherheitseinrichtungen oder leicht beschädigte Bauteile zu prüfen und ihre zufriedenstellende Funktion für den vorgesehenen Zweck zu sichern.
- Beschädigte Sicherheitsvorrichtungen und Schalter müssen von einem autorisierten Servicezentrum repariert oder ersetzt werden. Verwenden Sie das Elektrowerkzeug nicht, wenn sich die Schalter nicht ein- oder ausschalten lassen.



Nicht tragen!

- Aus Sicherheits- und Gesundheitsgründen dürfen die schweren Maschinen nicht manuell transportiert werden.

**Verlassen Sie niemals eine Maschine, die sich nicht in einem sicheren Zustand befindet!**

- Bevor Sie die Maschine verlassen, schalten Sie den Motor aus und entfernen Sie die Klinge.
- Sichern Sie die Maschine, indem Sie Unterlegkeile unter die Räder platzieren.
- Unterbrechen Sie die Zündkontakte oder ziehen Sie den Netzstecker.

**Schutzvorrichtungen nicht entfernen!**

- Die Maschine nur dann in Betrieb nehmen, wenn alle werkseitig angebrachten Schutzvorrichtungen montiert und funktionsfähig sind.

**Nur auf horizontalen Flächen verwenden!**

- Der Bodenabstreifer darf nur auf horizontalen Flächen eingesetzt werden.
- Achten Sie darauf, dass die Hinterräder fest auf der zu behandelnden Oberfläche aufliegen.

**Das Stromkabel darf nicht missbraucht werden!**

- Verwenden Sie das Kabel nicht, um den Stecker aus der Steckdose zu ziehen.
- Schützen Sie das Kabel vor Hitze, Öl und scharfen Kanten.
- Das Stromkabel ist so zu verlegen, dass es nicht durch die Arbeitswerkzeuge beschädigt werden kann.
- Verwenden Sie im Freien nur speziell zugelassene und entsprechend gekennzeichnete Verlängerungskabel.
- Verwenden Sie nur Stromkabel mit einem geeigneten Querschnitt und der erforderlichen Länge.
- Rollen Sie das Verlängerungskabel vollständig von der Kabeltrommel ab.

**Beachten Sie unbedingt die Betriebsanleitung des Elektromotorenherstellers und die folgenden Vorschriften!**

- Wenn das Gerät nicht benutzt wird, stellen Sie sicher, dass es von der Stromversorgung getrennt ist.
- Änderungen an der elektrischen Verkabelung, die Sicherheit beeinträchtigen oder die ursprünglichen Regel- und Steuerfunktionen verändern können, sind verboten.
- Reparaturen an der elektrischen Verkabelung dürfen nur von einer gebildeten Elektrofachkraft durchgeführt werden.

**Schutzvorrichtungen nicht entfernen!**

- Die beschädigten Schutzeinrichtungen an Maschinen müssen von einer Kundendienstwerkstatt fachgerecht repariert oder ersetzt werden.
- Die Maschine nur dann in Betrieb nehmen, wenn alle werkseitig montierten Schutzvorrichtungen vorhanden und in einem funktionsfähigen Zustand sind!
- Die Maschine darf nur in Betrieb genommen werden, wenn der Notausschalter funktionstüchtig ist.

**Einsatzort und Arbeitsplatz**

Bei der Arbeit mit der Maschine steht der Maschinenbediener immer hinter der Griffstange. Von dieser Position aus kann er die auszuführenden Arbeiten ständig überwachen und gegebenenfalls korrigieren. Von dieser Position aus kann der Maschinenbediener:

- die Maschine steuern
- die Maschine aufhalten
- alle Bedien- und Kontrollelemente (z. B. Pedal zur Einstellung des Klingenwinkels, Notausschalter) während des Einsatzes der Maschine betätigen.

HINWEIS: Hand-Arm-Vibrationen

Die Arbeit mit dem SC-25 führt zu Vibrationsbelastungen. Bitte beachten Sie die gesetzlichen Regelungen bezüglich der zulässigen Betriebszeit.

Sicherheitsaufkleber an der Maschine



Warnung: scharfe Klinge



Schutzschuhe tragen



Warnung: Stromschlaggefahr



Die Bedienungsanleitung studieren



Gehörschutz tragen



Schutzbrille benutzen

Beschädigte oder verlorene Sicherheitsaufkleber müssen sofort ersetzt werden! Diese Aufkleber können Sie bei Ihrem Kundenservicecenter erwerben.

Verwendung für den vorgesehenen Zweck

Die Maschinen sind ausschließlich für Behandlung von horizontalen Bodenbelägen bestimmt. Jede andere Verwendung entspricht nicht dem Verwendungszweck. Der Hersteller lehnt jede Haftung für dadurch verursachte Schäden ab (siehe auch „Anwendungsbereich“ auf Seite 35).

Restrisiko

Auch bei vorschriftsmäßigem Einsatz der Maschine besteht ein Restrisiko aufgrund unterschiedlicher Eigenschaften der Bodenbeläge.
Wenn Sie eine ungleichmäßige Bodenbelagsentfernung feststellen, müssen Sie den Klingenswinkel auf eine geeignete Position einstellen und die Schärfe überprüfen.

Sicherheit und Verantwortung bei der Arbeit

- Leisten Sie Ihren Beitrag zur Sicherheit am Arbeitsplatz.
- Melden Sie jede Abweichung von der normalen Arbeitsweise unverzüglich der zuständigen Person.
- Führen Sie alle Arbeiten sicherheitsbewusst aus.

Weitere Sicherheitshinweise

Achten Sie auf die Einhaltung der örtlichen oder nationalen Vorschriften, Normen und Richtlinien.

ANWENDUNGSBEREICH

Ein Bodenabstreifer ist ein handgeführtes, motorbetriebenes Elektrowerkzeug mit einem oszillierenden Kopf, das zum Entfernen von Bodenbelagsschichten bestimmt ist. Seine scharfe Klinge ist ein effektives Werkzeug, um den alten Bodenbelag aus dem Kleber zu entfernen und eine saubere und glatte Oberfläche zu hinterlassen. Der Bodenabstreifer mit seinen verschiedenen Klingen ist geeignet für:

- Abziehen von Bodenbelägen
- Anheben von Teppichfliesen und Teppichen mit Schaumrücken
- Entfernen von Filz, Unterlagen
- Linoleum- und Vinylbodenbeläge
- Korkfliesen und Matten
- Fliesen, Keramik

Die Maschine arbeitet auf Estrich, Latex, Beton oder Holzoberflächen und hebt Bodenbeläge an, ohne Rückstände und Rückseiten zu hinterlassen. Sie kann auch verwendet werden, um auf Hartholzböden einen Alterungseffekt zu erzeugen. Die Maschine arbeitet unter ihrem eigenen Gewicht auf dem Boden und muss von einem Bediener geführt werden.

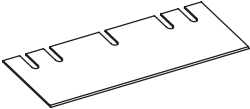
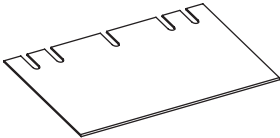
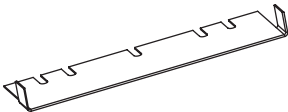
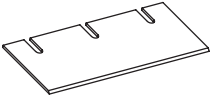
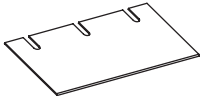
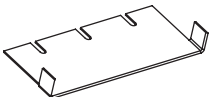
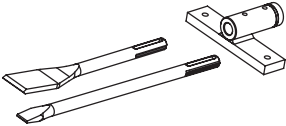


Verwenden Sie mit Fliesen und Keramik nur nach der Umsetzung der Meißel-Adapter und Meißel. Die Maschine darf nicht für andere als die oben genannten Zwecke verwendet werden.

WERKZEUGE

Das passende Werkzeug für Ihre spezielle Anwendung lässt sich am besten durch Versuche ermitteln. Die nachfolgende Beschreibung enthält nur Richtwerte. Verwenden Sie stets die vom Hersteller gelieferten Werkzeuge, um die gewünschten Ergebnisse zu erzielen.

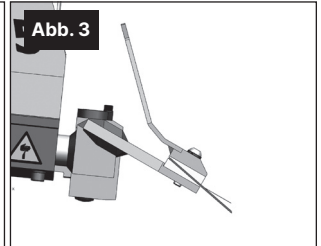
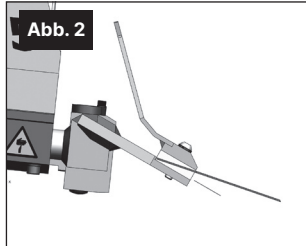
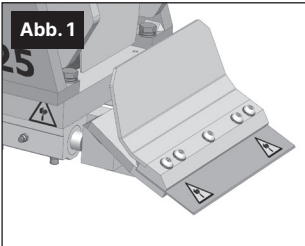
Klingen

<p>Basis - 400123 (250×80×1,5 mm / 9,8×3,1×0,06")</p> <ul style="list-style-type: none"> • Abziehen von Bodenbelägen • Anheben von Teppichfliesen und Teppichen mit Schaumrücken • Korkfliesen und Matten 	
<p>Lang - 400238 (250×130×1,5 mm)</p> <ul style="list-style-type: none"> • Abziehen von Bodenbelägen • Anheben von Teppichfliesen und Teppichen mit Schaumrücken • Korkfliesen und Matten 	
<p>U-Klinge - 400213 (270×80×1,5 mm / 10,6×3,1×0,06")</p> <ul style="list-style-type: none"> • Entfernen von Filz, Unterlagen • Linoleum- und Vinylbodenbeläge • Mattieren 	
<p>Trümmerklinge - 400217 (200×80×2,5 mm / 7,9×3,1×0,1")</p> <ul style="list-style-type: none"> • Hartgeklebte Bodenbeläge • Trümmer 	
<p>Optional SC-20 Grundklinge - 400110 (200×100×1,5 mm - 7,9×3,9×0,06")</p> <ul style="list-style-type: none"> • Abziehen von Bodenbelägen • Anheben von Teppichfliesen und Teppichen mit Schaumrücken • Korkfliesen und Matten 	
<p>Optional SC-20 U-Klinge - 400215 (230×100×2 mm / 9,1×3,9×0,08")</p> <ul style="list-style-type: none"> • Entfernen von Filz, Unterlagen • Linoleum- und Vinylbodenbeläge • Mattieren 	
<p>Optional Meißelsatz - 400253 (Meißelhalter, Meißel: 25×280 mm / 0,98×11", Meißel: 50×300 mm / 1,98×11,8")</p> <ul style="list-style-type: none"> • Fliesen • Parkett • Harter Trümmerschutt 	

Montage der Klingen

Die Originalverpackung enthält 1 Sechskantschlüssel 5 mm, 1 Grundklinge und 2 Klingenadapter. In der Verpackung finden Sie die Klinge, den Schlüssel und die Adapter.

1. Kippen Sie die Maschine und sichern Sie die gekippte Maschine gegen Umkippen.
2. Setzen Sie die Klinge in den Klingenhalter ein und verschrauben Sie sie mit dem mitgelieferten Sechskantschlüssel.
3. Montieren Sie die Klinge in neutraler Position ohne die Adapter. (Abb. 1)
4. Verwenden Sie die Adapter, um die Klinge in die hohe (Abb. 2) oder niedrige (Abb. 3) Position zu bringen.

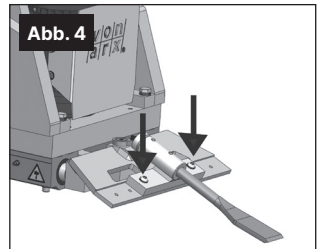


Montage des Meißels

Der Meißelsatz wird als Zubehör bestellt.

Die Originalverpackung enthält 1 Sechskantschlüssel 5 mm für die Montage.

- Den Meißel und die Schrauben finden Sie in der Verpackung.
- Kippen Sie die Maschine und sichern Sie die gekippte Maschine gegen Umkippen.
- Setzen Sie den Meißel in den Meißeladapter ein und befestigen Sie ihn mit den Schrauben unter Verwendung des mitgelieferten Sechskantschlüssels.
- Entfernen Sie den oberen Klingenhalter.
- Montieren Sie den Meißelhalter auf den unteren Klingenhalter und befestigen Sie ihn mit den Schrauben (Abb. 4).



MASCHINENBESCHREIBUNG UND GRUNDLEGENDE FUNKTIONSWEISE

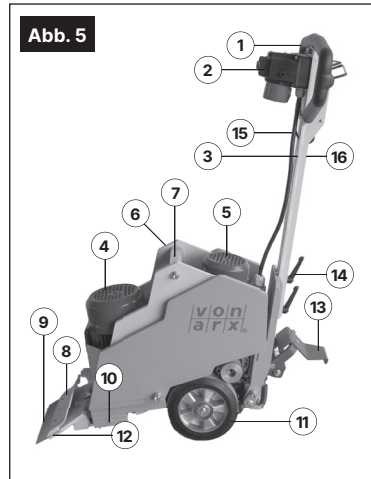
Aufbau der Maschine

1. Handgriff - Halte- und Führungsgriff für die Maschine.
2. Elektrischer Schalter mit Stecker - Schalter für den Elektromotor. 2 Stellungen: EIN (grüne Taste), AUS (rote Taste).
3. Griffstange - Einstellen der Griffhöhe.
4. Hauptmotor - Verantwortlich für die Bewegung des Klingenhalters.
5. Antriebsmotor - Verantwortlich für das Vorwärtsfahren der Maschine.
6. Seitliche Gewichte.
7. Transportgriff.



Wird nur verwendet, wenn die Maschine ausgeschaltet ist.

8. Klingenhalter - Dient zum Festhalten aller Arten von Klingen für die Maschine.
9. Klinge
10. Schmiernippel - Dienen zur Schmierung des Schwingungsmechanismus.
11. Räder - 2 feste Rollen zur Führung der Maschine.
12. Mechanismus zur Einstellung des Klingenwinkels - Dient zur Einstellung der Klinge auf den gewünschten Arbeitswinkel.
13. Pedalsatz - Bedienung des Vorwärtsantriebs der Maschine.
14. Klemmen - Befestigung der Griffstange nach der Höheneinstellung des Griffs.
15. Stromkabel
16. Produktschild



Funktion

Die Maschine kann mit verschiedenen Arten von Klingen ausgestattet werden, um unterschiedliche Arten von zu entfernendem Bodenmaterial zu bearbeiten. Der oszillierende Abstreiferkopf kann von verschiedenen Motoren angetrieben werden.

Bei Vorwärtsführung der Maschine schabt die Klinge den Bodenbelag ab.

Bedienung der Maschine

- Winkeleinstellung - Stellen Sie den Winkel der Klinge ein, um die beste Abisolierleistung des Geräts zu gewährleisten.
- Gewichtseinstellung - Bringen Sie das Gewicht in die Arbeitsposition.
- Verriegeln Sie das Pedalwerk, um die selbstfahrende Funktion zu aktivieren, wenn Sie kontinuierlich vorwärts arbeiten.
- Starten - Drücken Sie die grüne Taste des Schalters.
- Zufuhr - Der Maschinenführer muss die Maschine an der Griffstange führen und den Starthebel am Griff betätigen, um vorwärts zu fahren. Der Maschinenführer steuert die Maschine in Schneidrichtung über die zu bearbeitende Bodenfläche. Die Maschine wird gegen den Boden gedrückt, und die Klinge schabt den Bodenbelag ab.
- Ausschalten - Drücken Sie die rote Taste des Schalters.

Transport der Maschine

1. Entfernen Sie die Klinge.
2. Stellen Sie das Gewicht in die Transportposition. Aufgrund ihres Gewichtes muss die Maschine mit einem Kran angehoben werden. (Abb. 6)



Fassen Sie niemals an die Klinge oder den Klingenhalter!



Vor dem Transport sollte die Klinge demontiert werden. Es besteht eine große Verletzungsgefahr für die Bediener, wenn die Klinge während des Transports auf der Maschine verbleibt.

Maximal zulässige Neigung

Die Maschine darf nicht in eine der seitlichen Richtungen geneigt werden. Aufgrund der kurzen Basis kann jede Neigung eine Unwucht der Maschine und der Leistung verursachen.

BETRIEB

Inbetriebnahme

Lesen Sie die folgende Montageanleitung vollständig durch, bevor Sie unser Produkt montieren.

- Stellen Sie die Griffstange auf die richtige Höhe ein, die richtige Körperhaltung gewährleistet, indem Sie sie in den Schlitz am Gerät schieben.
- Sichern Sie die Griffstange mit den Klammern (Abb. 8).
- Setzen Sie die Klinge in den Klingenhalter und befestigen Sie sie mit den 5 mitgelieferten Schrauben (Abb. 9).

Der Schukostecker (16 A) wird auch für Länder geliefert, in denen dieses Steckersystem noch nicht eingeführt ist.

Zum Anschluss an die Maschine muss ein Verlängerungskabel vorhanden sein. Rollen Sie das Verlängerungskabel vollständig von der Kabeltrommel ab. Verwenden Sie nur zugelassene Verlängerungskabel (max. 30 m).

Arbeitsvorbereitung



Die Maschine sollte vor der Durchführung jeglicher Arbeiten von der Stromquelle getrennt werden.

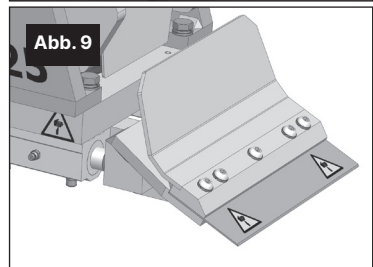
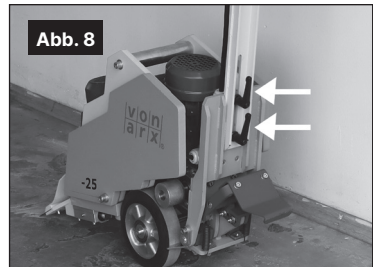
Prüfen Sie Ihre Maschine auf Schäden.



Prüfen Sie, ob die beweglichen Teile in Ordnung sind.



Beschädigte Schutzeinrichtungen und Teile müssen von einer Kundendienstwerkstatt fachgerecht repariert oder ersetzt werden.





Achten Sie darauf, dass die Maschine vollständig ausgeschaltet ist und stillsteht, bevor Sie das Gerät einstellen. Das Gerät von der Stromversorgung abtrennen. Zu Ihrer eigenen Sicherheit Arbeitshandschuhe tragen.

Einstellung des Klingenwinkels

Stellen Sie den Klingenwinkel so ein, dass die beste Abstreifleistung des Geräts gewährleistet ist.



Wenn die Klinge vom Boden abhebt, ist der Winkel möglicherweise zu flach.



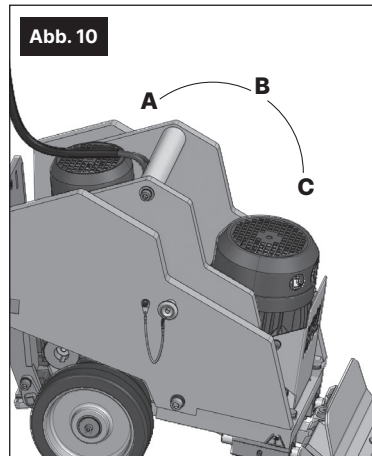
Die Verwendung eines zu steilen Winkels kann zu Schäden am Boden führen.



Achten Sie darauf, dass die Maschine vollständig ausgeschaltet ist und stillsteht, bevor Sie das Gerät einstellen. Das Gerät von der Stromversorgung abtrennen.

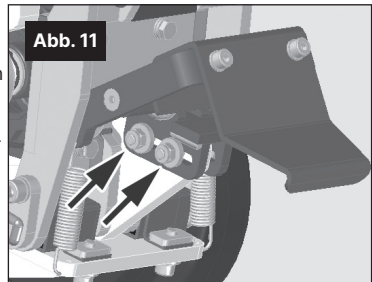
Anpassung des Gewichtes

- Das Gewicht hat 3 verschiedene Positionen für den spezifischen Gebrauch.
 - Aufbewahrungsposition (A) - stellen Sie das Gewicht in diese Position, wenn die Maschine nicht in Gebrauch ist.
 - Transportposition (B) - stellen Sie das Gewicht in diese Position, wenn die Maschine transportiert wird. Der Griff kann als Befestigungspunkt für Kräne verwendet werden.
 - Arbeitsposition (C) - stellen Sie das Gewicht in diese Position, bevor Sie mit der Maschine arbeiten.
- Das Gewicht wird mit einem Positionierungsstift gesichert, der wiederum mit einem Sicherheitsstift fixiert wird.
- Drücken Sie den Sicherheitsstift und ziehen Sie den Positionierungsstift aus dem Ganzen heraus, um die Position der Klinge zu ändern.
- Drücken Sie den Positionierungsstift zurück, nachdem Sie das Gewicht in die gewünschte Position gebracht haben, und lassen Sie den Sicherheitsstift los.



Starten und Verwenden

- Installieren Sie vor der Inbetriebnahme der Maschine alle notwendigen Sicherheitsvorrichtungen gemäß den Empfehlungen in der „Sicherheitshinweise“ auf Seite 33.
- Schließen Sie das Gerät an das Stromnetz an und drücken Sie die grüne Taste am oberen Handgriff. Seien Sie darauf vorbereitet, dass sich die Klinge sofort in Bewegung setzen wird.
- Aktivieren Sie den Vorwärtsantrieb der Maschine durch:
 - Verriegeln Sie das Pedal für kontinuierlichen Vorwärtsantrieb und stellen Sie bei Bedarf den Druck auf die Räder über das Pedalwerk ein (Abb. 11).
 - Drücken Sie während des Betriebs die Griffstange bei losgelassenem Pedal nach vorne, um das Schneckengetriebe zu aktivieren. (Zum Lösen des Pedals drücken Sie die Griffstange stärker nach vorne, bis diese entriegelt).
- Führen Sie die Maschine vorwärts in die Abdeckungen. Die oszillierende Klinge sollte unter dem Material hindurchschneiden und es vom Boden entfernen.



- Wenn der Antriebsmotor beim Entfernen von hartnäckig verklebten Belägen nicht genügend Kraft aufbringt, muss der Benutzer die Maschine mit losgelassenem Pedal stärker nach vorne drücken.



Setzen Sie die Maschine niemals unter Druck. Wenn die Maschine manuell zu stark erzwungen wird, wird der Antriebsmotor angehalten und/oder beschädigt. Die Rückwärtsbewegung der Maschine erfolgt manuell mit losgelassenem Pedal.



Die Hinterräder dürfen niemals den Boden verlassen, da dies eine Gefahr für den Benutzer darstellt und die Maschine beschädigt werden kann (Abb. 8)!

- Wenn Sie Schwierigkeiten haben, das Material zu entfernen, verwenden Sie die Klingenecke.
- Drücken Sie die rote Taste am oberen Griff, um die Maschine anzuhalten.

Lagerung der Maschine

Die Maschine sollte sofort nach jedem Gebrauch gereinigt werden. Stellen Sie sicher, dass der Lagerraum gut belüftet, trocken, überdacht oder in einem Raum untergebracht ist, keine potenziellen Brandgefahren bestehen und die Temperatur über dem Gefrierpunkt liegt, um den Schutz und die Langlebigkeit des Geräts zu erhöhen. Reinigen Sie die Räder und die Karosserie, und schmieren Sie die Maschine vor der Lagerung. Beim Transport mit Gurten oder mit Kabelhaken sichern.

INSTANDHALTUNG UND WARTUNG

Wartungsplan

Die Maschine ist so ausgelegt, dass der Zeitaufwand für Wartungsarbeiten auf ein Minimum reduziert ist. Einige Wartungsarbeiten sind jedoch unerlässlich. So kann die Maschine störungsfrei arbeiten und Ihnen viele Jahre lang gut dienen.



Vor der Durchführung von Wartungsarbeiten immer die Energieversorgung unterbrechen!

- Ziehen Sie den Netzstecker!
- Lassen Sie den Motor vollständig abkühlen.

Täglich oder nach jeweils 10 Betriebsstunden:

- D Außenseite der Maschine reinigen.



Verwenden Sie keine Lösungsmittel.

- Prüfen Sie den Zustand der Klinge.

Wöchentlich oder nach jeweils 50 Betriebsstunden

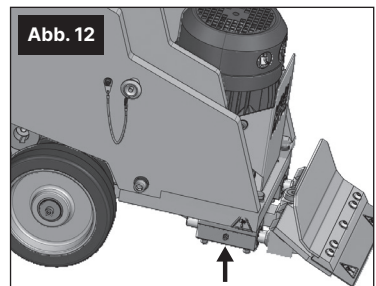
- Prüfen Sie die Lager (lassen Sie beschädigte Lager durch den Kundendienst austauschen).
- Schraubverbindungen prüfen (lose Schraubverbindungen nachziehen, beschädigte Baugruppen vom Kundendienst austauschen lassen).

Schmierung

Die Maschine muss täglich vor der Inbetriebnahme geschmiert werden (Abb. 12). Die Schmiernippel befinden sich an der Seite des Hauptgehäuses. Drücken Sie maximal 3 bis 4 Mal mit der Fettpresse. Drücken Sie nie zu viel Schmierstoff in die Maschine.

Ersatz der Klinge

Achten Sie darauf, dass der Bodenabstreifer vollständig ausgeschaltet, abgekühlt und zum Stillstand gekommen ist, bevor Sie die Maschine warten. Das Gerät von der Stromversorgung abtrennen. Zu Ihrer eigenen Sicherheit Arbeitshandschuhe tragen.



- Kippen Sie die Maschine und sichern Sie die gekippte Maschine gegen Umkippen.
- Reinigen und lösen Sie die Schrauben, mit denen die Klinge im Klingenthaler befestigt ist.
- Entfernen Sie die gebrauchte Klinge.
- Setzen Sie die neue Klinge in den Klingenthaler ein und befestigen Sie sie mit den Schrauben.

Verschleiß

Alle Klingen unterliegen dem Verschleiß und sind nach einer bestimmten Einsatzdauer abgenutzt. Diese müssen dann ersetzt werden.



Die verschlossenen Klingen können brechen und schwere Schäden und/oder Verletzungen verursachen!

Die Lebensdauer der einzelnen Komponenten ist unterschiedlich. Neben der betriebsbedingten Abnutzung hängt sie auch von der Art und den Eigenschaften des Materials der zu behandelnden Oberfläche und von der erforderlichen Leistung bei der Anwendung ab.

Wechsel von Verschleißteilen

Verwenden Sie nur Original-Ersatzteile von Von Arx EOOD oder die in den Ersatzteillisten angegebenen Ersatzteile.

REPARATUREN

Verwenden Sie nur Original-Ersatzteile von Von Arx EOOD oder die in den Ersatzteillisten angegebenen Ersatzteile.



Änderungen an der elektrischen Verkabelung sind verboten!

STÖRUNGEN UND FEHLERBESEITIGUNG

Die Maschine startet nicht

- Prüfen Sie die Stromversorgung, die an das Stromnetz angeschlossen werden soll.
- Prüfen Sie den Hauptschalter. Falls erforderlich, auswechseln.

Geringe Abstreifkapazität

- Prüfen Sie die Klingenkante. Eine abgenutzte Klinge vermindert die Abstreifleistung erheblich. Falls erforderlich, auswechseln.

Geräusche aus dem Schwingkopf

- Schmieren Sie die Lager, falls erforderlich.
- Überprüfen Sie die Befestigungen der Klingenthaler.

Die Maschine/Klinge springt beim Einsatz vom Boden ab.

- Überprüfen Sie den Klingwinkel. Wenn die Klinge vom Boden abhebt, ist der Winkel möglicherweise zu flach. Die Verwendung eines zu steilen Winkels kann zu Schäden am Boden führen. Stellen Sie den Klingwinkel sorgfältig ein.

TECHNISCHE DATEN

Allgemeines

Seriennummer	aaa.bb.cc.xyz aaa = Typ, bb = Modelljahr, cc = Monat, xyz = fortlaufend
Gewicht	155 kg / 342 lbs
Abmessungen	500 × 1120 × 825 mm / 19,7 × 44,1 × 32,5"
Arbeitsbreite	250 - 270 mm / 9,8 - 10,6"
Abstand zur Wand	110 mm / 4,3"(Grundklinge)
Elektromotorgröße	90 L
Leistung	1,5 kW
Motordrehzahl	2800 RPM
Geschwindigkeit der Maschine	10,6 m (34") / min
Motorschutzschalter	25 A / 115 V, 13,5 A / 230 V
Schalldruckpegel	≈ 90,5 db(A)
Akustischer Leistungspegel	≈ 98,0 db(A)
Schwingungspegel	8,8 m/s ²
Schutzart	IP 55

Artikelcode	Leistung	Verbrauch
800074	230V / 50Hz	10,9 A
800081	115 V / 50Hz	22,4 A
800082	230V / 60 Hz	10,9 A

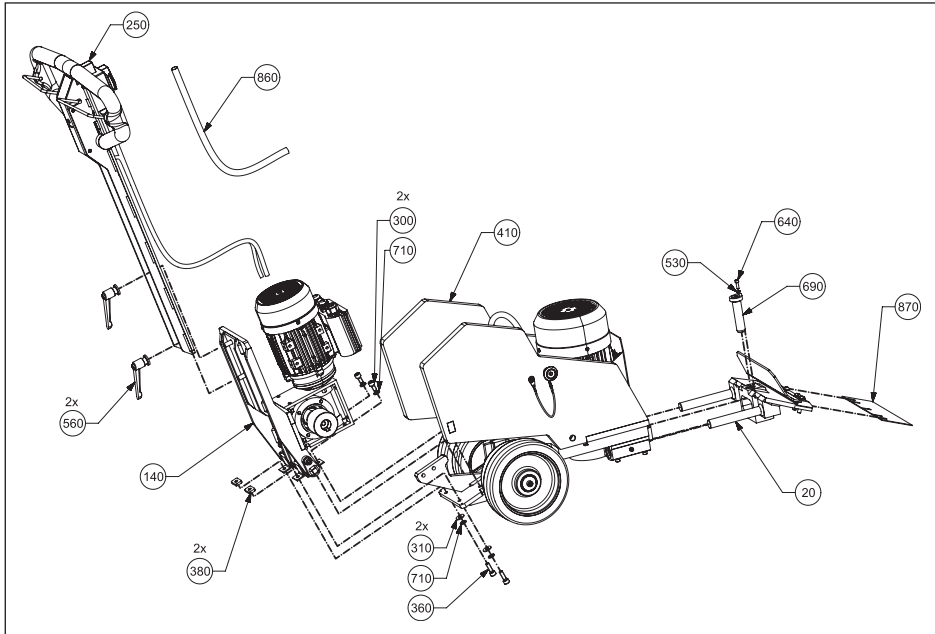
ERSATZTEILLISTE



Verwenden Sie nur Originalersatzteile von Von Arx EOOD oder die in der Teilliste angegebenen Ersatzteile.

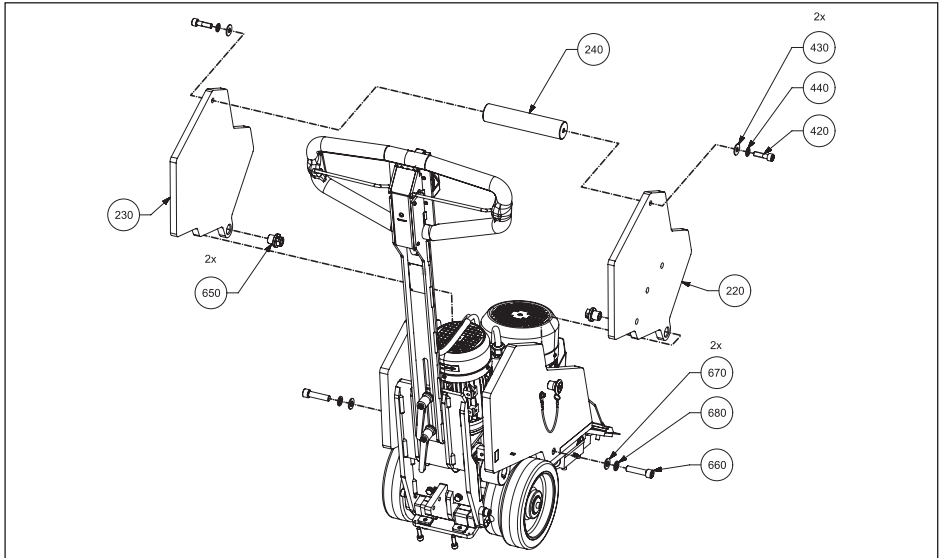
SC-25 Bodenabstreifer

Versionen der Maschine: **A) - 800074:** 230 V / 50 Hz, **B) - 800081:** 115 V / 50 Hz, **C) - 800082:** 230V / 60 Hz

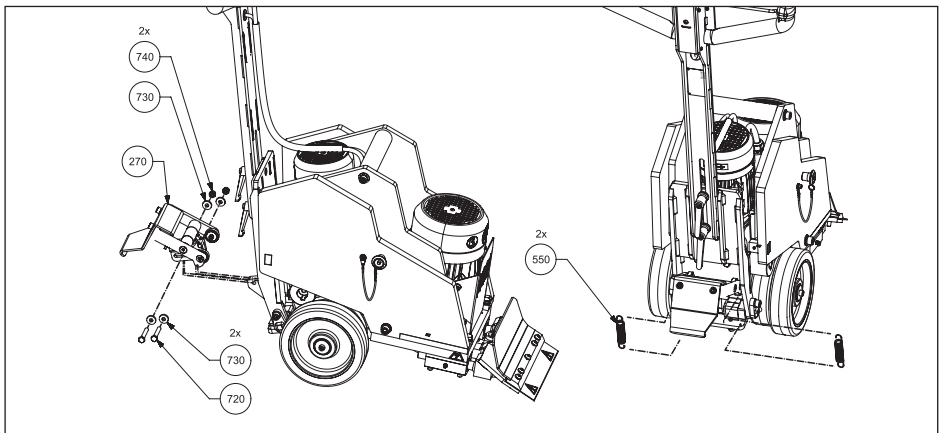


Nr.	Artikel	Teilebezeichnung	Maschine V.
250	400083	GRIFFSET	A
250	400509	GRIFFSET	B
250	400514	GRIFFSET	C
860	900450	KABELWICKEL	
300	100286	SCHRAUBE	
710	100618	SCHEIBE	
410	400101	FAHRGESTELL	A
410	400510	FAHRGESTELL	B
410	400511	FAHRGESTELL	C
530	104727	SCHEIBE	

Nr.	Artikel	Teilebezeichnung	Maschine V.
640	100595	SCHRAUBE	
870	400123	KLINGE	
20	400024	SCHIEBESATZ	
360	105923	SCHRAUBE	
710	100618	SCHEIBE	
310	300010	SCHEIBE	
380	400099	PLATTE	
140	400151	GRIFFSET	A
140	400506	GRIFFSET	B
140	400507	GRIFFSET	C



Nr.	Artikel	Teilebezeichnung	Nr.	Artikel	Teilebezeichnung
240	400081	GRIFF	670	100129	SCHEIBE
430	300015	SCHEIBE	680	110537	SCHEIBE
440	104715	SCHEIBE	660	300101	SCHRAUBE
420	300018	SCHRAUBE	650	400154	BUCHSE
220	400079	SEITE RECHTS	230	400078	SEITE LINKS



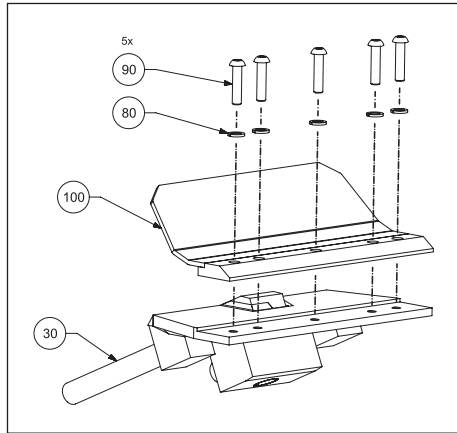
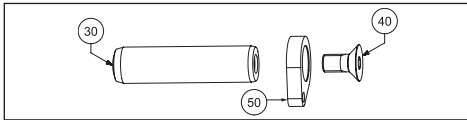
Nr.	Artikel	Teilebezeichnung	Nr.	Artikel	Teilebezeichnung
740	100263	MUTTER	720	109740	BOLZEN
730	300086	SCHEIBE	550	400122	FEDER
270	400089	HEBEL			

Schiebesatz

Nr.	Artikel	Teilebezeichnung
30	400034	KLINGENHALTER
80	100618	SCHEIBE
90	300178	SCHRAUBE
100	400183	STOSSDÄMPFER

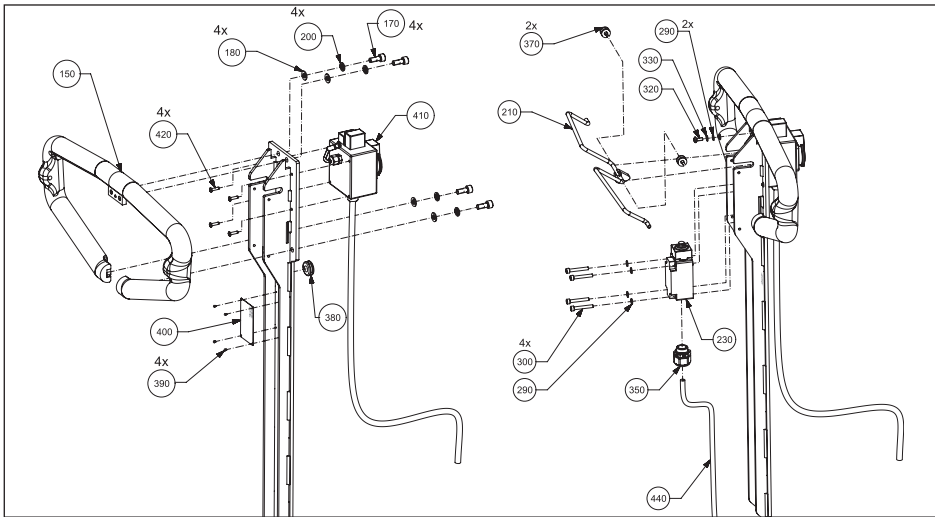
Stift - Schiebesatz

Nr.	Artikel	Teilebezeichnung
30	400034	KLINGENHALTER
80	100618	SCHEIBE
90	300178	SCHRAUBE



Griff-Satz oben

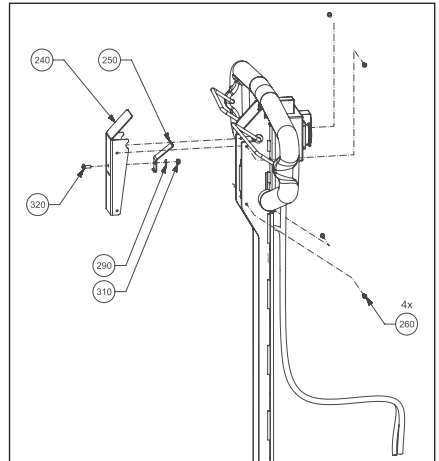
Versionen der Maschine: **A) - 800074:** 230 V / 50 Hz, **B) - 800082:** 230V / 60 Hz



Nr.	Artikel	Teilebezeichnung
110	400131	GRIFFSET
150	400197	LENKER
170	100598	SCHRAUBE
180	101670	SCHEIBE
200	100618	SCHEIBE
210	400199	HEBEL
230	900402	SCHALTER
290	100609	SCHEIBE
300	103562	SCHRAUBE

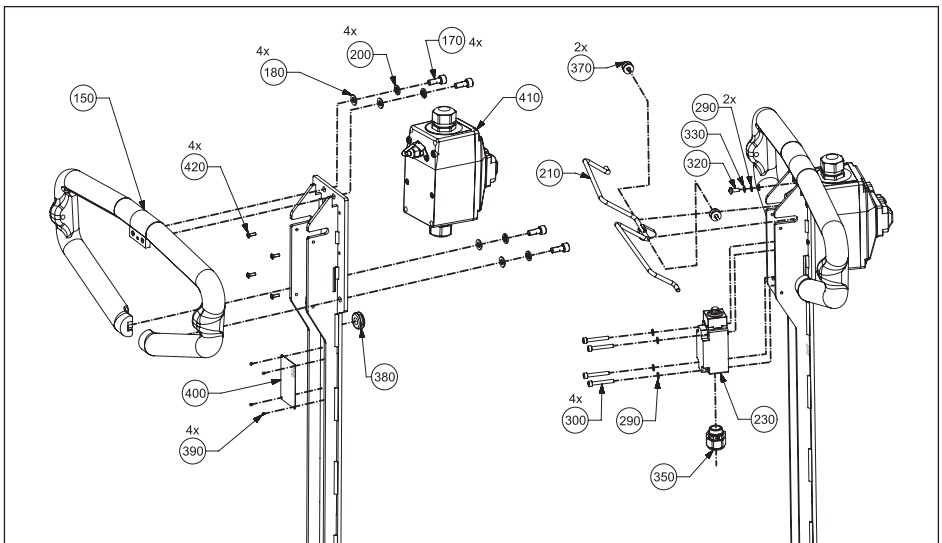
Nr.	Artikel	Teilebezeichnung	Maschine V.
330	104727	SCHEIBE	
350	114813	KABELVERSCHRAUBUNG	
370	400209	BUCHSE	
380	300164	OFFENE TÜLLE	
390	300165	SCHRAUBE	
400	703559	PLATTE	
410	400270	SCHALTER (400083)	A
410	400515	SCHALTER (400514)	B
420	300083	SCHRAUBE	

Nr.	Artikel	Teilebezeichnung
240	400147	ABDECKUNG
250	400148	FEDER
260	300094	SCHRAUBE
290	100609	SCHEIBE
310	106665	MUTTER
320	300085	SCHRAUBE



Griff-Satz oben

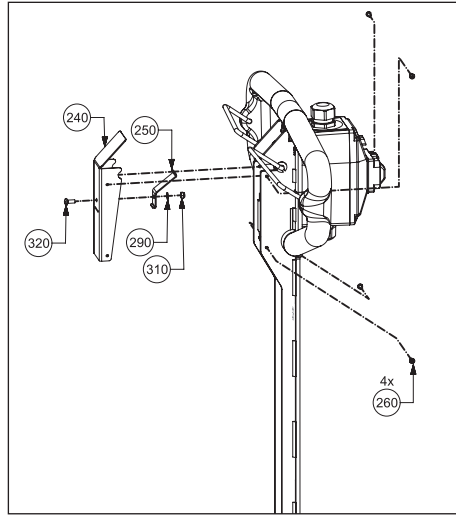
Versionen der Maschine: 800081: 115 V / 50Hz



Nr.	Artikel	Teilebezeichnung
110	400131	GRIFFSET
150	400197	LENKER
170	100598	SCHRAUBE
180	101670	SCHEIBE
200	100618	SCHEIBE
210	400199	HEBEL
230	900402	SCHALTER
300	103562	SCHRAUBE

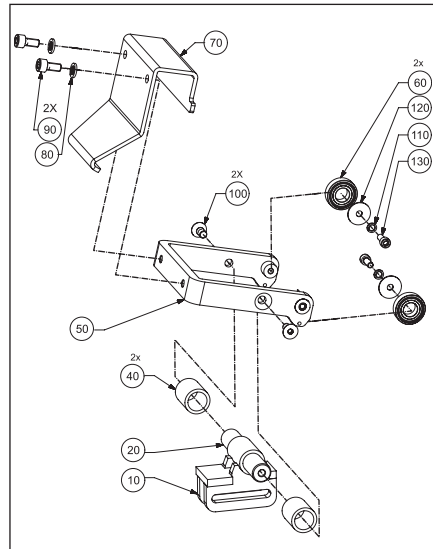
Nr.	Artikel	Teilebezeichnung
330	104727	SCHEIBE
350	114813	KABELVERSCHRAUBUNG
370	400209	BUCHSE
380	300164	OFFENE TÜLLE
390	300165	SCHRAUBE
400	703559	PLATTE
410	400508	SCHALTER
420	300084	SCHRAUBE

Nr.	Artikel	Teilebezeichnung
240	400147	ABDECKUNG
250	400148	FEDER
260	300094	SCHRAUBE
290	100609	SCHIBE
310	106665	MUTTER
320	300085	SCHRAUBE



Hebel-Antriebseinstellung

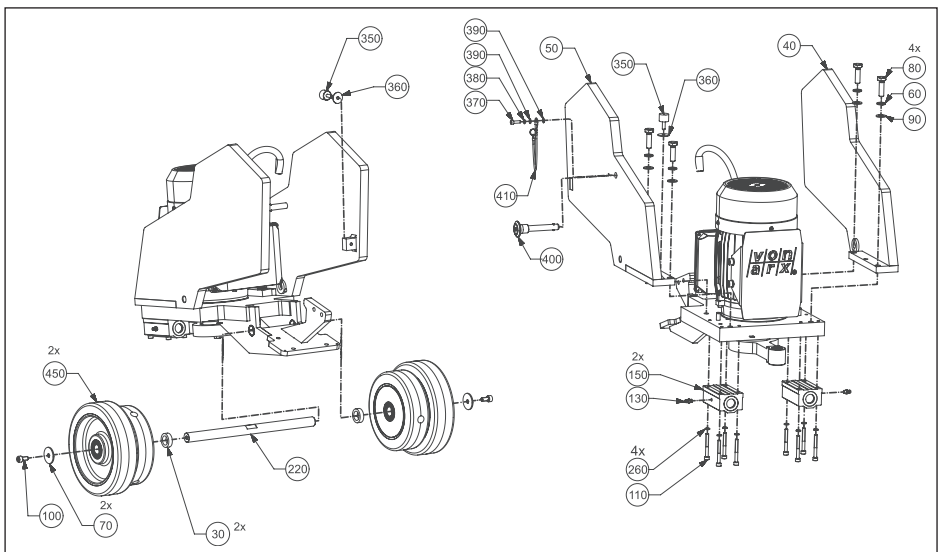
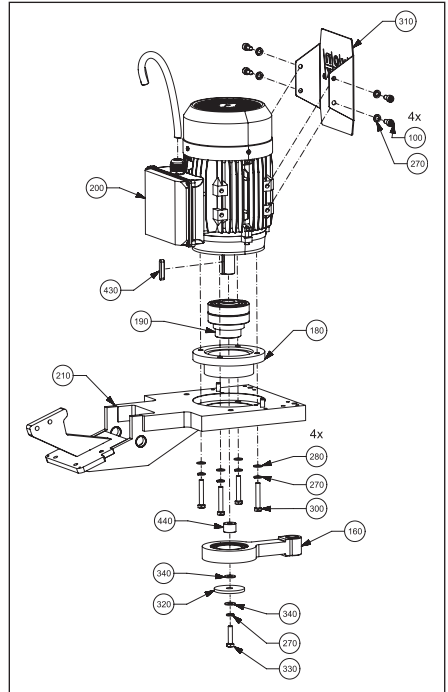
Nr.	Artikel	Teilebezeichnung
10	400086	HALTERUNG
20	400090	WELLE
40	400092	ABSTANDSHALTER
50	400094	HEBEL
60	300042	LAGER
70	400100	PLATTE
80	100618	SCHIBE
90	100286	SCHRAUBE
100	101669	SCHRAUBE
110	100302	SCHIBE
120	300103	SCHIBE
130	100301	SCHRAUBE



Chasis

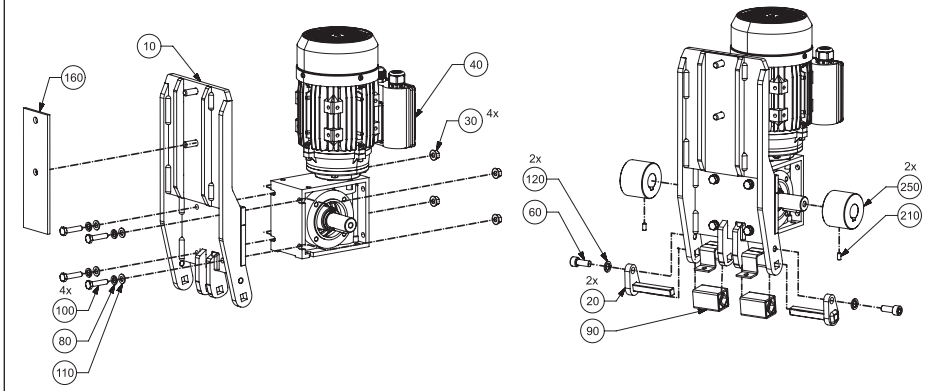
Versionen der Maschine: **A) - 800074:** 230 V / 50 Hz, **B) - 800081:** 115 V / 50 Hz, **C) - 800082:** 230 V / 60 Hz

Nr.	Artikel	Teilebezeichnung	Maschine V.
30	400063	ABSTANDSHALTER	
40	400064	SEITE LINKS	
50	400068	SEITE RECHTS	
130	300046	ÖLNIPPEL	
150	300045	LINEARFÜHRUNG	
180	400062	EINSATZ	
190	400059	EXZENTER	
200	900307	ELEKTROMOTOR (400101)	A
200	900435	ELEKTROMOTOR (400510)	B
200	900627	ELEKTROMOTOR (400511)	C
210	400195	BASISRAHMEN	
220	400052	ACHSE	
320	400155	SCHEIBE	
340	300010	SCHEIBE	
350	300107	GUMMIPUFFER	
360	300103	SCHEIBE	
370	100595	SCHRAUBE	
380	104727	SCHEIBE	
390	100609	SCHEIBE	
400	300108	SPERRSTIFT	
410	300099	HALTEKABEL	
440	400200	ABSTANDSHALTER	
450	400241	RAD	
100	100286	SCHRAUBE	
270	100618	SCHEIBE	
430	108006	PASSFEDER	



Griffgarnitur - unten

Versionen der Maschine: **A) - 800074:** 230 V / 50 Hz, **B) - 800081:** 115 V / 50 Hz, **C) - 800082:** 230V / 60 Hz

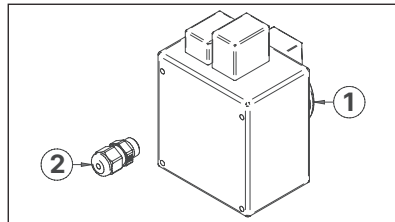


Nr.	Artikel	Teilebezeichnung	Maschine V.	Nr.	Artikel	Teilebezeichnung	Maschine V.
250	400189	RAD		60	300006	SCHRAUBE	
240	300043	HALTERUNG		20	400152	ACHSE	
10	400071	GRIFFSET		80	100618	SCHEIBE	
90	300044	AUFHÄNGUNG		30	300089	MUTTER	
40	400139	ELEKTROMOTOR (400151)	A	100	106706	BOLZEN	
40	400504	ELEKTROMOTOR (400506)	B	110	101670	SCHEIBE	
40	400505	ELEKTROMOTOR (400507)	C	160	400124	ADAPTER	
120	104715	SCHEIBE		210	300013	STELLSCHRAUBE	

Montierter elektrischer Schalter

Versionen der Maschine: **A) - 800074:** 230 V / 50 Hz, **B) - 800082:** 230V / 60 Hz

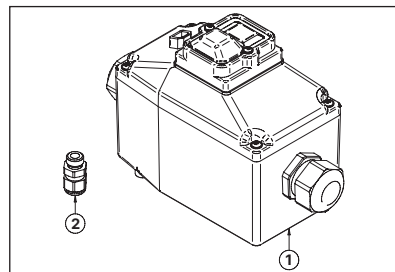
Nr.	Artikel	Teilebezeichnung	Maschine V.
1	109373	MONTIERTER SCHALTER 230 V (400270)	A
1	900057	MONTIERTER SCHALTER 230 V (400515)	B
2	300071	KABELVERSCHRAUBUNG M12 KUNSTSTOFF	



Montierter elektrischer Schalter

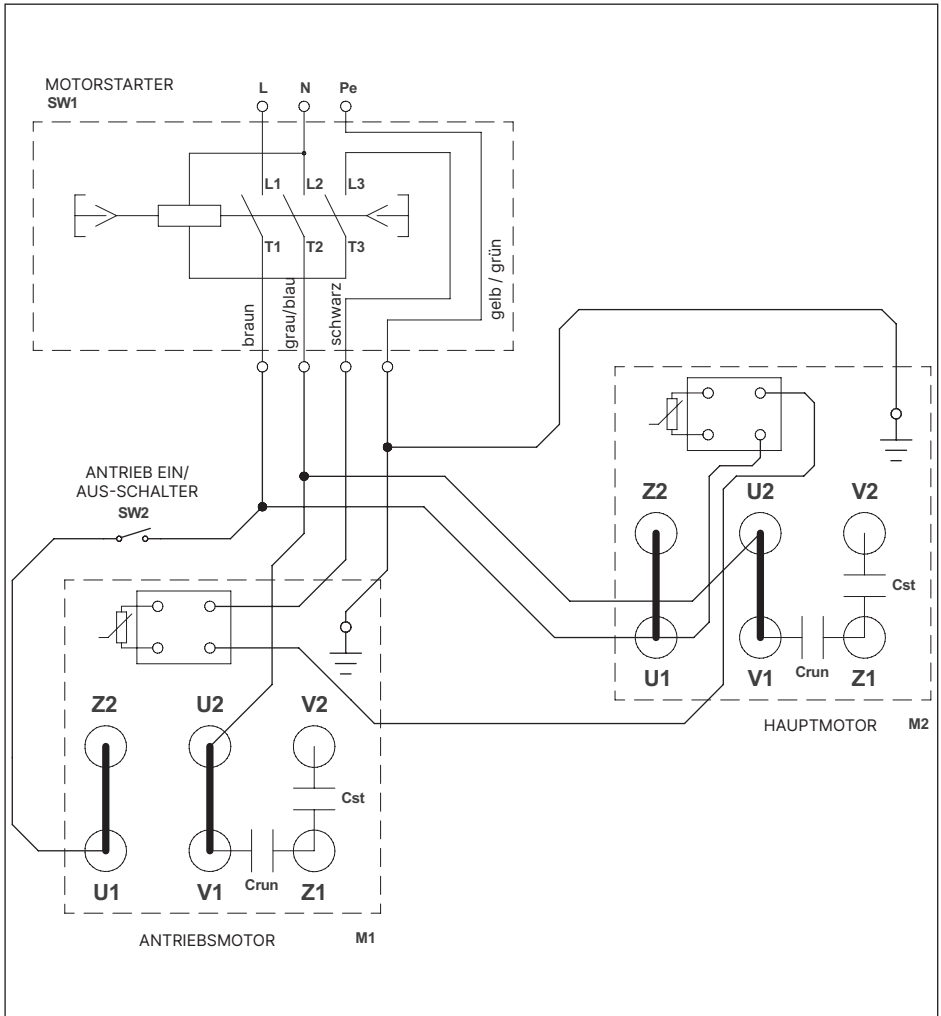
Versionen der Maschine: **800081:** 115 V / 50 Hz

Nr.	Artikel	Teilebezeichnung
1	900282	MONTIERTER SCHALTER 115 V (400508)
2	300071	KABELVERSCHRAUBUNG M12 KUNSTSTOFF



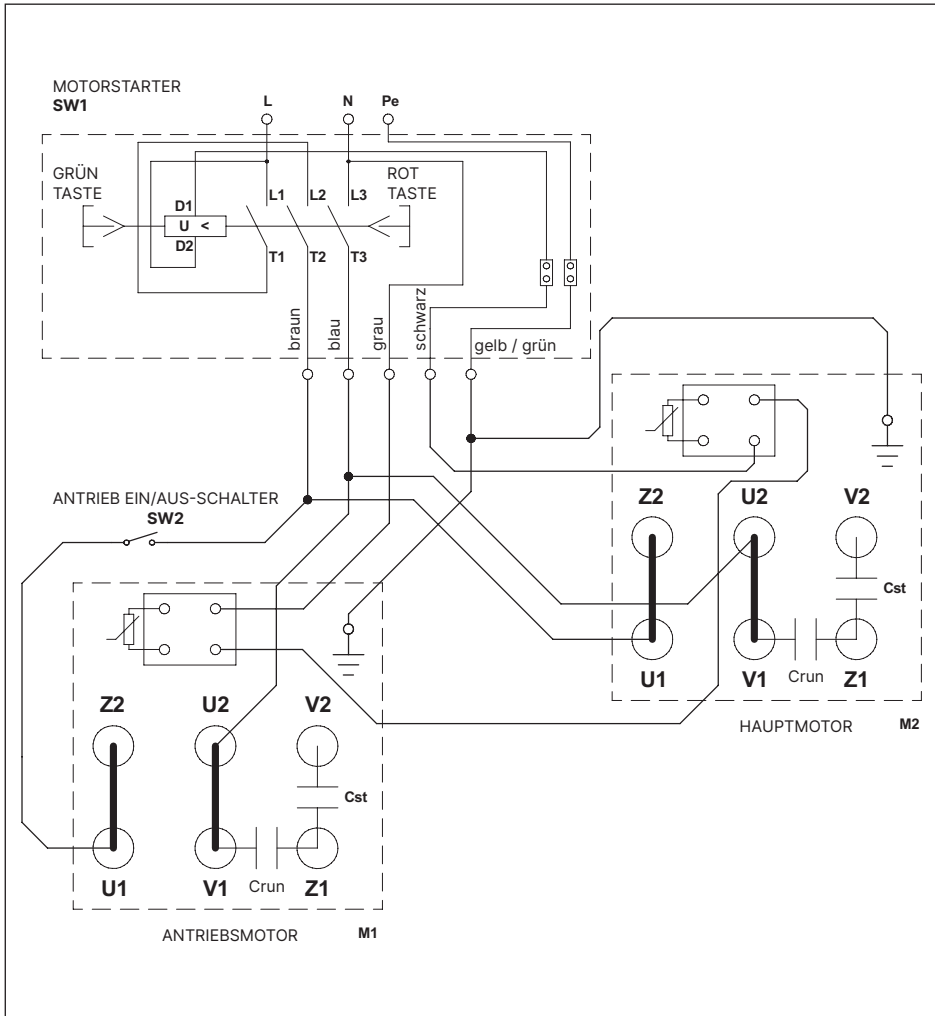
Elektrische Schemen

Versionen der Maschine: **A) - 800074:** 230 V / 50 Hz, **B) - 800082:** 230V / 60 Hz



Elektrische Schemen

Versionen der Maschine: 800081: 115 V / 50Hz



GARANTIE

Von Arx EOOD gewährleistet den einwandfreien Betrieb des Geräts für 24 Monate ab dem Kaufdatum. Wird das Produkt im Schichtbetrieb eingesetzt, so halbiert sich die Garantiezeit.

Von Arx EOOD prüft alle Geräte auf Vollständigkeit und einwandfreien Betrieb, bevor sie das Werk verlassen.

Der Kunde muss die Maschine sofort nach Erhalt auf eventuelle Mängel oder Transportschäden überprüfen und diese unverzüglich der Vertriebszentrale und dem Spediteur mitteilen.

Von Arx EOOD verpflichtet sich, alle Fehler, die nachweislich auf Material- oder Verarbeitungsmängel zurückzuführen sind, innerhalb der angegebenen Garantiezeit so schnell wie möglich zu beheben oder die Reparatur durch ein offizielles Von Arx Service- und Vertriebszentrum zu veranlassen.

Es wird keine Haftung übernommen für Schäden, die durch unsachgemäße Handhabung, Nichtbeachtung dieser Betriebsanleitung, Überlastung, ungeeignete Verwendung, fehlerhafte Wartung oder natürliche Abnutzung entstehen. Reparaturen oder Änderungen, die vom Käufer oder von Dritten ohne unsere schriftliche Genehmigung vorgenommen werden, gehen zu Lasten des Kunden und führen zum Erlöschen unserer Garantie.

Darüber hinaus kann kein Garantieanspruch geltend gemacht werden, wenn andere als die von Von Arx EOOD hergestellten oder empfohlenen Teile verwendet werden.

Klingen sind Verschleißteile und fallen daher nicht unter Garantie.

Von Arx EOOD kann nicht für Schäden oder Verluste haftbar gemacht werden, die dem Käufer direkt oder indirekt entstehen (Folgeschäden, entgangener Gewinn, zusätzliche Kosten usw.).

Gekaufte Teile wie Motoren, Schalter usw. werden im Rahmen der Garantiebestimmungen der entsprechenden Lieferanten garantiert.

Zum Nachweis der Garantieberechtigung benötigen Sie die Garantiekarte und eine entsprechende Handelsrechnung Ihres Vertriebszentrums.

EG-KONFORMITÄTSERKLÄRUNG

im Sinne der EG-Maschinenrichtlinie 2006/42/CE

Wir erklären, dass das nachfolgend bezeichnete Gerät aufgrund seiner Konzipierung und Bauart sowie in der von uns in Verkehr gebrachten Ausführung den einschlägigen grundlegenden Sicherheits- und Gesundheitsanforderungen der EG-Richtlinie entspricht. Jede Veränderung des Geräts ohne unsere Zustimmung führt zur Ungültigkeit dieser Erklärung.

Relevante Normen:

EN ISO 12100:2011, EN 60204-1:2019

Bezeichnung des Gerätes:

Bodenabstreifermaschine

Typ

SC 25 (230 V, 115 V)

Von Arx EOOD, 4000 Plovdiv / Bulgarien**Fredrik Åkermark**

Inhaber

Plovdiv, 13. September 2021

Verantwortlich für die technische Dokumentation:

Ing. Maria Spasova

Hersteller:

Von Arx EOOD
Nedyalka Shileva 20 Str.
4000 Plovdiv, Bulgarien
Tel.: +359 32 94 05 53
Email: order@vonarx.com
www.vonarx.com



EN: Operating manual: (p. 3)

DE: Betriebsanleitung: (S. 29)

FR: Mode d'emploi: (pp. 55)

ES: Instrucciones de manejo: (pág. 81)



SC 25

GRATTOIR DE SOL VON ARX



FR

**von
arx**®
TRUE QUALITY SINCE 1941

TABLE DES MATIÈRES

Notes pour l'utilisateur	58
Avant d'utiliser ce produit	58
Lecture de ce mode d'emploi	58
Copyright © [Droits d'auteur ©]	58
Marques déposées ®	58
Brevets	58
Illustrations et modifications techniques	58
Traductions	58
Conserver en lieu sûr	58
Plus d'informations	58
Pièces et listes marquées dans ce mode d'emploi	59
Pièces marquées	59
Consignes de sécurité	59
NOTE : Vibrations main-bras	60
Utilisation conforme à l'usage prévu	61
Risque résiduel	61
Sécurité et responsabilité au travail	61
Autres consignes de sécurité	61
Domaine d'application	61
Outils	62
Lames	62
Montage des lames	63
Montage du ciseau	63
Description de la machine et mode de fonctionnement de base	63
Construction de la machine	63
Fonction	64
Utilisation de la machine	64
Transport de la machine	64
Inclinaison maximale autorisée	64
Opération	65
Mise en service	65
Préparation du travail	65
Réglage de l'angle de la lame	65
Réglage du poids	66
Mise en route et utilisation	66
Rangement de la machine	67

Entretien et maintenance	67
Plan d'entretien.....	67
Lubrification.....	67
Remplacement de la lame	67
Usure	67
Réparations	68
Défauts et dépannage	68
La machine ne démarre pas	68
Faible capacité d'effeuillage.....	68
Bruits provenant de la tête oscillante.....	68
La machine/lame saute du sol lors de l'utilisation.....	68
Spécifications techniques.....	69
Liste des pièces détachées	70
Grattoir de sol SC-25.....	70
Jeu coulissant.....	72
Jeu de poignées en haut	72
Jeu de poignées en haut	73
Lever — réglage de l'entraînement	74
Châssis	75
Jeu de poignées du bas.....	76
Interrupteur électrique assemblé.....	76
Interrupteur électrique assemblé	76
Schéma électrique.....	77
Schéma électrique.....	78
Garantie.....	79
Déclaration de conformité CE.....	80
au sens de la directive européenne sur les machines 2006/42/CE	80

NOTES POUR L'UTILISATEUR

Avant d'utiliser ce produit

Il est extrêmement important que vous :

- vous assuriez que l'emballage est complet et vérifiez l'absence de tout dommage éventuel causé pendant le transit/transport ;
- respectiez les consignes de sécurité ;
- lisez le mode d'emploi.

Lecture de ce mode d'emploi

Si vous avez des questions après avoir lu ce mode d'emploi, veuillez contacter le fabricant ou le centre de service le plus proche. Le fabricant n'est pas responsable de tout dommage ou panne résultant du non-respect du mode d'emploi.

Copyright © [Droits d'auteur ©]

Le texte et les illustrations ne peuvent être copiés ou reproduits sans l'autorisation expresse de Von Arx EOOD.

Marques déposées ®

Les mots « Von Arx » et le logo « Von Arx » sont des marques déposées et protégées au niveau international. Leur utilisation par des tiers est interdite !

Brevets

Divers composants et procédés énumérés et illustrés dans le présent mode d'emploi sont en instance de brevet ou ont déjà fait l'objet de brevets nationaux et internationaux.

Illustrations et modifications techniques

Les illustrations peuvent différer de la machine réelle et apparaissent sans aucune obligation de notre part. Afin de répondre à l'évolution rapide des demandes des clients, nous réservons le droit d'apporter des modifications techniques sans préavis.

Traductions

Seule la version anglaise de ce mode d'emploi fait foi. La version anglaise de ce mode d'emploi est considérée comme les « instructions originales ».

Conserver en lieu sûr

Veuillez conserver ce mode d'emploi dans un endroit sûr et à la disposition de l'utilisateur.

Plus d'informations

Fabricant :
Von Arx EOOD,
4000 Plovdiv
Téléphone : +359 32 94 05 53
Pays d'origine : Bulgarie

PIÈCES ET LISTES MARQUÉES DANS CE MODE D'EMPLOI

Pièces marquées

Lisez et respectez toujours les consignes de sécurité de ce mode d'emploi ! Les consignes de sécurité sont marquées comme suit :



Le non-respect d'une instruction marquée par ce signe peut entraîner des blessures graves ou même la mort.



Le non-respect d'une instruction marquée par ce signe peut endommager la machine ou provoquer des dommages matériels.



Marquez toute information explicative ou instruction spéciale.

CONSIGNES DE SÉCURITÉ



Gardez votre poste de travail en ordre !

- Le désordre de votre poste de travail peut être une cause d'accident !



Soyez prudent !

- Soyez toujours conscient de vos actions. Faites preuve de bon sens pendant le travail. N'utilisez pas la machine ou l'outil lorsque vous êtes distrait.



Évitez une posture peu naturelle !

- Tenez-vous fermement au sol pendant que vous travaillez et gardez votre équilibre à tout moment.



Portez des vêtements de protection adaptés !

- Ne portez pas de vêtements amples ou de bijoux, ils pourraient être happés par les pièces en mouvement.
- Couvrez les cheveux longs avec un filet à cheveux.
- L'opérateur de la machine doit porter des lunettes de protection, des gants, des protections auditives et des chaussures de sécurité antidérapantes.
- Portez un masque anti-poussière si le travail génère de la poussière.



Tenez compte de votre environnement de travail !

- N'utilisez jamais la machine ou l'outil à proximité de matériaux explosifs (le moteur électrique peut produire des étincelles) !
- N'utilisez jamais un outil électrique humide ou mouillé (choc électrique) !
- Protégez la machine ou l'outil de l'humidité, de l'eau, de la chaleur extrême, du froid extrême, des solutions chimiques et des gaz.



Tenez les autres personnes à l'écart !

- Tenez les autres personnes — en particulier les enfants — éloignées de la machine ou de l'outil et du cordon d'alimentation.
- Gardez les autres personnes hors de votre zone de travail pendant que vous travaillez !



Vérifiez que la machine ou l'outil ne présente pas de dommages potentiels !

- Avant toute utilisation, les dispositifs de sécurité ou les pièces légèrement endommagées doivent être contrôlés et leur fonctionnement satisfaisant pour l'usage prévu doit être assuré.
- Les dispositifs de sécurité et les interrupteurs endommagés doivent être réparés ou remplacés par un centre de service agréé. N'utilisez pas l'outil électrique si les interrupteurs ne peuvent pas être mis en marche ou arrêtés.



Ne la transportez pas !

- Pour des raisons de sécurité et de santé, les machines lourdes ne doivent pas être transportées à la main.

**Ne laissez jamais une machine qui n'est pas dans un état sûr !**

- Avant de quitter la machine, arrêtez le moteur et retirez la lame.
- Immobilisez la machine en plaçant des cales sous les roues.
- Coupez les contacts d'allumage ou retirez la fiche secteur.

**N'enlevez pas les dispositifs de protection !**

- N'utilisez la machine que lorsque tous les dispositifs de protection installés en usine sont montés et en bon état de fonctionnement.

**N'utilisez la machine que sur des surfaces horizontales !**

- La machine à gratter les sols ne doit être utilisée que sur des surfaces horizontales.
- Veillez à ce que les roues arrière reposent fermement sur la surface à traiter.

**Ne faites pas un mauvais usage du câble d'alimentation électrique !**

- N'utilisez pas le câble pour retirer la fiche de la prise.
- Protégez le câble contre la chaleur, l'huile et les arêtes vives.
- Posez le câble électrique de manière à ce qu'il ne puisse pas être endommagé par les outils de travail.
- En plein air, n'utilisez que des câbles de rallonge spécialement autorisés et convenablement marqués.
- N'utilisez que des câbles électriques ayant une section appropriée et la longueur nécessaire.
- Déroulez complètement le câble de rallonge du tambour de câble.

**Il est essentiel que vous respectiez le mode d'emploi du fabricant du moteur électrique et les réglementations suivantes !**

- Lorsque vous n'utilisez pas la machine, assurez-vous qu'elle est déconnectée de l'alimentation électrique.
- Il est interdit d'apporter au câblage électrique des modifications susceptibles de nuire à la sécurité ou de modifier les fonctions de régulation et de commande d'origine.
- Les réparations du câblage électrique ne doivent être effectuées que par un électricien qualifié.

**N'enlevez pas les dispositifs de protection !**

- Les dispositifs de protection endommagés sur les machines doivent être réparés ou remplacés de manière professionnelle par un atelier du service après-vente.
- N'utilisez la machine que lorsque tous les dispositifs de protection montés en usine sont en place et en bon état de fonctionnement !
- N'utilisez la machine que lorsque l'interrupteur d'arrêt d'urgence est en état de marche.

**Lieu d'utilisation et lieu de travail**

Lorsqu'il travaille avec la machine, l'opérateur de la machine se tient toujours derrière le guidon. De cette position, il peut surveiller en permanence et, si nécessaire, corriger le travail à effectuer. En se tenant à cette position, l'opérateur de la machine peut :

- diriger la machine
- retenir la machine
- actionner tous les éléments de commande et de contrôle (tels que la pédale de réglage de l'angle de la lame, l'arrêt d'urgence) pendant l'utilisation de la machine.

NOTE : Vibrations main-bras

Le travail avec le SC-25 entraîne une sollicitation par vibrations. Veuillez respecter les dispositions légales en ce qui concerne la durée de fonctionnement autorisée.

Autocollants de sécurité sur la machine



Avertissement : lame tranchante



Le port de chaussures de sécurité est obligatoire



Avertissement : risque de choc électrique



Étudiez le mode d'emploi



Port obligatoire de protections auditives



Utilisez des lunettes de protection

Les autocollants de sécurité endommagés ou perdus doivent être remplacés immédiatement ! Ces autocollants peuvent être obtenus auprès de votre centre de service à la clientèle.

Utilisation conforme à l'usage prévu

Les machines sont conçues exclusivement pour traiter les revêtements de sol horizontaux. Toute autre utilisation ne correspond pas à l'usage prévu. Le fabricant décline toute responsabilité pour les dommages causés de ce fait (voir aussi « Domaine d'application » à la page 61).

Risque résiduel

Il existe toujours un risque résiduel dû aux différentes caractéristiques des revêtements de sol, même si la machine est utilisée conformément aux réglementations en vigueur. Si vous constatez un enlèvement irrégulier du revêtement de sol, vous devez régler l'angle de la lame sur une position appropriée et contrôler l'affûtage.

Sécurité et responsabilité au travail

- Apportez votre contribution à la sécurité sur le lieu de travail.
- Signalez immédiatement à la personne responsable toute anomalie s'écartant du travail normal.
- Effectuez tous les travaux en étant conscient de la nécessité de la sécurité.

Autres consignes de sécurité

Veillez à respecter les réglementations, normes et directives locales ou nationales.

DOMAINE D'APPLICATION

Une machine à gratter les sols est un outil électrique à moteur guidé à la main, doté d'une tête oscillante conçue pour enlever les couches de revêtement de sol. Sa lame tranchante est un outil efficace pour déloger l'ancien revêtement de sol de l'adhésif afin de laisser une surface propre et lisse. Le grattoir de sol avec ses différentes lames est conçu pour :

- Dénuder les revêtements de sol
- Soulever les dalles de moquette et les moquettes à dos mousseux
- Retirer les feutres, les sous-couches de
- linoléum et les revêtements de sol en vinyle
- Dalles et tapis en liège
- Dalles, céramiques

La machine travaille sur des surfaces en chape, en latex, en béton ou en bois et soulève les revêtements de sol en laissant un minimum de résidus et de support. Elle peut également être utilisée pour créer un effet vieilli sur les parquets en bois dur. La machine travaille sous son poids sur le sol et doit être conduite par un opérateur.

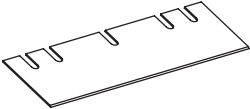
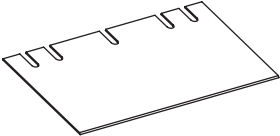
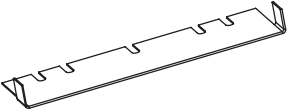
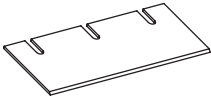
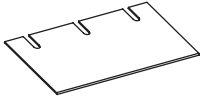
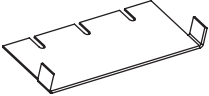
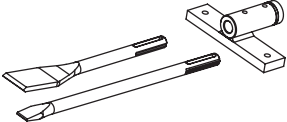


N'utiliser avec les dalles et les céramiques qu'après avoir mis en œuvre l'adaptateur de ciseau et le ciseau. La machine ne doit pas être utilisée à d'autres fins que celles mentionnées ci-dessus.

OUTILS

Des essais permettent de déterminer l'outil le mieux adapté à votre application particulière. La description suivante ne donne que des valeurs indicatives. Utilisez toujours les outils appropriés fournis par le fabricant pour obtenir les résultats souhaités.

Lames

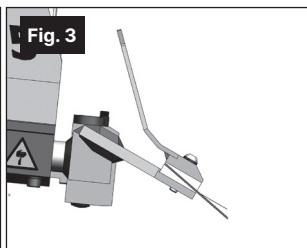
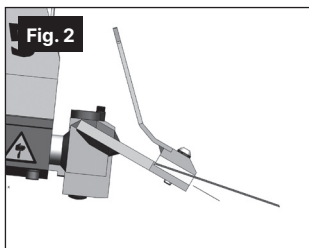
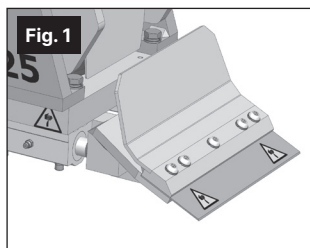
<p>Lame de base — 400123 (250×80×1,5 mm / 9,8×3,1×0,06")</p> <ul style="list-style-type: none"> • Dénuder les revêtements de sol • Soulever les dalles de moquette et les moquettes à dos mousseux • Dalles et tapis en liège 	
<p>Lame longue — 400238 (250×130×1,5 mm)</p> <ul style="list-style-type: none"> • Dénuder les revêtements de sol • Soulever les dalles de moquette et les moquettes à dos mousseux • Dalles et tapis en liège 	
<p>Lame en U — 400213 (270×80×1,5 mm / 10,6×3,1×0,06")</p> <ul style="list-style-type: none"> • Retirer les feutres, les sous-couches de linoléum et les revêtements de sol en vinyle • Tapis 	
<p>Lame chasse débris — 400217 (200×80×2,5 mm / 7,9×3,1×0,1")</p> <ul style="list-style-type: none"> • Revêtements de sol à collage dur • Débris 	
<p>En option : lame de base SC-20 — 400110 (200×100×1,5 mm — 7,9×3,9×0,06")</p> <ul style="list-style-type: none"> • Dénuder les revêtements de sol • Soulever les dalles de moquette et les moquettes à dos mousseux • Dalles et tapis en liège 	
<p>En option : lame en U SC-20 — 400215 (230×100×2 mm / 9,1×3,9×0,08")</p> <ul style="list-style-type: none"> • Retirer les feutres, les sous-couches de linoléum et les revêtements de sol en vinyle • Tapis 	
<p>En option : Jeu de ciseaux — 400253 (support de ciseau: 25×280 mm / 0,98×11", ciseau : 50×300 mm / 1,98×11,8")</p> <ul style="list-style-type: none"> • Dalles • Parquet • Débris durs 	

Montage des lames

L'emballage d'origine comprend 1 clé hexagonale de 5 mm, 1 lame de base et 2 adaptateurs de lame.

Récupérez la lame, la clé et les adaptateurs dans l'emballage.

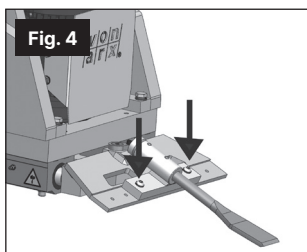
1. Basculez la machine et sécurisez la machine basculée pour l'empêcher de basculer.
2. Placez la lame dans le porte-lame et fixez-la avec les vis à l'aide de la clé hexagonale fournie.
3. Montez la lame en position neutre sans les adaptateurs. (Fig. 1).
4. Utilisez les adaptateurs pour placer la lame en position haute (Fig. 2) ou basse (Fig. 3).



Montage du ciseau

Le jeu de ciseaux est commandé en tant qu'accessoire. L'emballage d'origine comprend 1 clé hexagonale de 5 mm à utiliser pour le montage.

- Récupérez le ciseau et les vis dans l'emballage.
- Basculez la machine et sécurisez la machine basculée pour l'empêcher de basculer.
- Placez le ciseau dans l'adaptateur et fixez-le avec les vis à l'aide de la clé hexagonale fournie.
- Retirez le support du porte-lame supérieur.
- Montez le porte-ciseau sur le porte-lame inférieur et utilisez les vis pour le fixer (Fig. 4).



DESCRIPTION DE LA MACHINE ET MODE DE FONCTIONNEMENT DE BASE

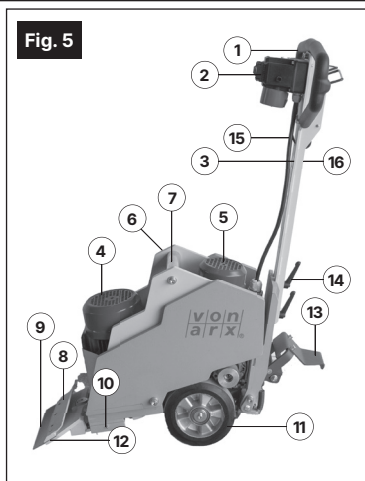
Construction de la machine

1. Poignée — poignée de maintien et de guidage de la machine.
2. Interrupteur électrique avec fiche — interrupteur pour le moteur électrique. 2 positions : MARCHE (bouton vert), ARRÊT (bouton rouge).
3. Barre de poignée — réglage de la hauteur de la poignée.
4. Moteur principal — responsable du déplacement du porte-lame.
5. Moteur d'entraînement — responsable de l'avancement de la machine.
6. Poids latéraux.
7. Poignée de transport.



Utilisée uniquement lorsque la machine est éteinte.

8. Porte-lame — utilisé pour maintenir fermement tous les types de lames pour la machine.
9. Lame
10. Embouts de lubrification — utilisés pour lubrifier le mécanisme d'oscillation.



11. Roues — 2 roulettes fixes pour guider la machine.
12. Mécanisme de réglage de l'angle de la lame — utilisé pour régler la lame à l'angle de fonctionnement souhaité.
13. Jeu de pédales — commande de la marche avant de la machine.
14. Collier de serrage — fixation de la barre de poignée après le réglage en hauteur de la poignée.
15. Câble électrique
16. Plaque de produit

Fonction

La machine peut être équipée de différents types de lames utilisées pour différents types de matériaux de revêtement de sol à enlever. La tête oscillante du grattoir peut être entraînée par une gamme de moteurs.

En faisant avancer la machine, la lame racle le revêtement de sol.

Utilisation de la machine

- Réglage de l'angle — règle l'angle de la lame afin d'assurer les meilleures performances d'effeuillage de l'appareil.
- Réglage du poids — fixe le poids en position de travail.
- Verrouillez le mécanisme de la pédale pour engager la fonction d'auto-entraînement si vous travaillez en continu vers l'avant.
- Démarrage — appuyez sur le bouton vert de l'interrupteur.
- Alimentation — l'opérateur doit guider la machine à l'aide de la barre de poignée en actionnant le levier de démarrage situé sur la poignée pour avancer. L'opérateur dirige la machine dans le sens de la coupe sur la surface du sol à travailler. La machine est pressée contre le sol et la lame gratte le matériau du sol.
- Arrêt — appuyez sur le bouton rouge de l'interrupteur.

Transport de la machine

1. Retirez la lame.
2. Placez le poids en position de transport. En raison de son poids, la machine doit être soulevée par une grue. (Fig. 6).



Ne saisissez jamais la lame ou le porte-lame !



La lame doit être démontée avant le transport. Les opérateurs courent un grand danger en laissant la lame sur la machine pendant le transport.

Inclinaison maximale autorisée

N'inclinez pas la machine dans l'une des directions latérales. En raison de sa base courte, toute inclinaison peut entraîner un déséquilibre de la machine et des performances.



OPÉRATION

Mise en service

Lisez entièrement les instructions de montage suivantes avant d'assembler notre produit.

- Placez la barre de la poignée à la hauteur appropriée qui assure la bonne posture du corps en la glissant dans la fente de la machine.
- Fixez la barre de poignée à l'aide des colliers de serrage (Fig. 8).
- Placez la lame dans le porte-lame et fixez-la avec les 5 vis fournies (Fig. 9).

La prise Schuko (16 A) est également fournie pour les pays dans lesquels ce système de fiche n'a pas été introduit.

Un câble de rallonge doit être disponible pour le raccordement à la machine. Déroulez complètement le câble de rallonge du tambour de câble. N'utilisez que les rallonges autorisées (max. 30 m).

Préparation du travail

! La machine doit être débranchée de la source d'alimentation avant d'effectuer tout type de travail.

Vérifiez que votre machine n'est pas endommagée.

! Vérifiez que les pièces mobiles sont en état de marche.

! Les dispositifs de protection et les pièces endommagés doivent être réparés ou remplacés de manière experte par un atelier du service après-vente.

! Assurez-vous que la machine est complètement éteinte et à l'arrêt complet avant de procéder au réglage de l'appareil. Débranchez la machine de la source d'alimentation. Utilisez des gants de travail pour votre propre sécurité.

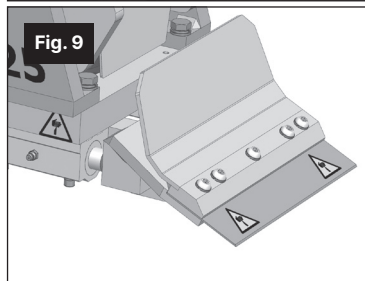
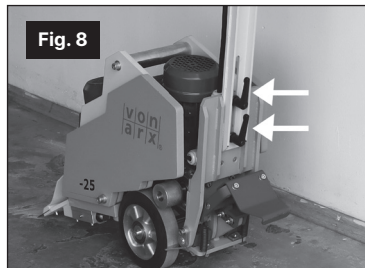
Réglage de l'angle de la lame

Réglez l'angle de la lame afin d'assurer les meilleures performances d'effeuillage de l'appareil.

! Si la lame saute du sol, l'angle est peut-être trop faible.

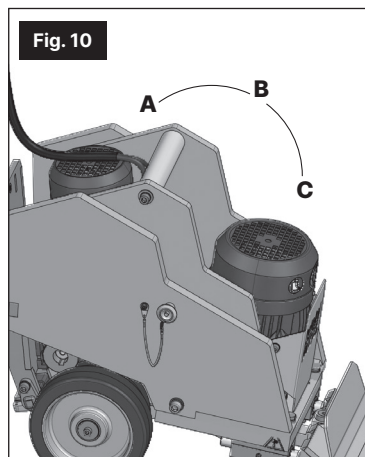
! L'utilisation d'un angle trop raide [prononcé] peut endommager le sol.

! Assurez-vous que la machine est complètement éteinte et à l'arrêt complet avant de procéder au réglage de l'appareil. Débranchez l'appareil de la source d'alimentation.



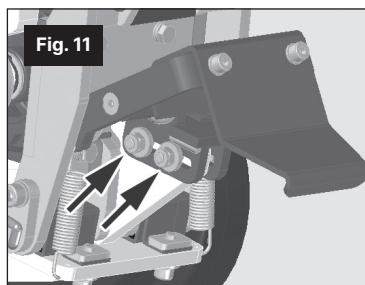
Réglage du poids

- Le poids a 3 positions différentes pour une utilisation spécifique.
 - Position de rangement (A) — placez le poids dans cette position lorsque la machine n'est pas utilisée.
 - Position de transport (B) — placez le poids dans cette position lorsque la machine est transportée. La poignée peut être utilisée comme point d'attache pour les grues.
 - Position de travail (C) — placez le poids dans cette position avant de commencer à travailler avec la machine.
- Le poids est fixé avec une broche de positionnement qui est fixée avec une broche de sécurité.
- Poussez la broche de sécurité et tirez la broche de positionnement hors de l'ensemble pour pouvoir changer la position de la lame.
- Repoussez la broche de positionnement après avoir placé le poids dans la position souhaitée et relâchez la broche de sécurité.



Mise en route et utilisation

- Avant de démarrer la machine, mettez tous les dispositifs de protection nécessaires comme recommandé dans « Consignes de sécurité » à la page 59.
- Branchez la machine sur l'alimentation électrique appropriée et appuyez sur le bouton vert situé sur la poignée supérieure. Soyez prêt à ce que la lame se mette immédiatement en mouvement.
- Activez la traction avant de la machine en procédant comme suit :
 - Verrouiller la pédale pour une traction continue vers l'avant et ajuster la pression sur les roues à partir du mécanisme de la pédale si nécessaire (Fig. 11).
 - Pousser la barre de la poignée vers l'avant avec la pédale relâchée à tout moment pendant le fonctionnement pour activer l'engrenage à vis sans fin. (Le relâchement de la pédale s'effectue en poussant plus fortement la barre de la poignée vers l'avant jusqu'à ce qu'elle se déverrouille).
- Avancez la machine vers l'avant dans les revêtements. La lame oscillante doit trancher sous le matériau et l'enlever du sol.
- Si le moteur d'entraînement ne fournit pas assez de force lors de l'enlèvement de revêtements à collage dur, l'utilisateur doit pousser plus fort la machine vers l'avant avec la pédale relâchée.



Ne forcez jamais la machine. Si la machine est forcée trop fort manuellement, le moteur d'entraînement s'arrêtera et/ou sera endommagé. Le mouvement vers l'arrière de la machine doit être effectué manuellement avec la pédale relâchée.



Ne laissez jamais les roues arrière quitter le sol car cela est dangereux pour l'utilisateur et la machine peut être endommagée (Fig. 8) !

- Si vous avez des difficultés à retirer le matériau, utilisez le coin de la lame.
- Appuyez sur le bouton rouge de la poignée supérieure pour arrêter la machine.

Rangement de la machine

La machine doit être nettoyée immédiatement après chaque utilisation. Assurez-vous que le lieu de stockage est bien ventilé, sec, couvert ou à l'intérieur, exempt de tout risque d'incendie potentiel, et que la température est supérieure au point de congélation pour une meilleure protection et longévité de l'appareil. Nettoyez les roues et la carrosserie, et lubrifiez la machine avant de la ranger. Pour le transport, fixez-la avec des sangles ou des crochets de câble.

ENTRETIEN ET MAINTENANCE

Plan d'entretien

La machine a été spécialement conçue pour réduire au minimum le temps nécessaire aux travaux d'entretien. Cependant, certains travaux d'entretien sont indispensables. Cela permettra à la machine de fonctionner sans problème et de vous offrir un bon service pendant de nombreuses années.



Coupez toujours l'alimentation en énergie avant d'effectuer des travaux d'entretien !

- Retirez la fiche secteur !
- Laissez le moteur refroidir complètement.

Tous les jours ou toutes les 10 heures de fonctionnement :

- Nettoyez l'extérieur de la machine.



N'utilisez pas de solvants.

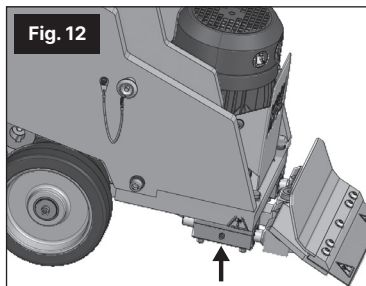
- Vérifiez l'état de la lame.

Toutes les semaines ou toutes les 50 heures de fonctionnement :

- Vérifiez les roulements (Faites appel au service après-vente pour changer les roulements endommagés).
- Vérifiez les assemblages vissés (resserrez les assemblages vissés desserrés, faites remplacer les assemblages endommagés par le service après-vente).

Lubrification

La machine doit être lubrifiée quotidiennement avant de commencer à travailler (Fig. 12). Les embouts de lubrification sont situés sur le côté du corps principal. Appuyez au maximum 3 à 4 fois avec le pistolet à graisse. Ne pressez jamais trop de graisse dans la machine.



Remplacement de la lame

Assurez-vous que le grattoir de sol est complètement éteint, refroidi et à l'arrêt complet avant de procéder à l'entretien de l'appareil. Débranchez l'appareil de la source d'alimentation. Utilisez des gants de travail pour votre propre sécurité.

- Basculez la machine et sécurisez la machine basculée pour l'empêcher de basculer.
- Nettoyez et desserrez les vis qui fixent la lame dans le porte-lame.
- Retirez la lame usagée.
- Placez la nouvelle lame dans le porte-lame et fixez-la avec les vis.

Usure

Toutes les lames sont sujettes à l'usure et seront usées après une période d'utilisation donnée. Elles doivent alors être remplacées.

**Des lames usées peuvent se briser et causer de graves dommages et/ou des blessures !**

La durée de vie des différents composants est variable. Outre l'usure due à l'utilisation, elle dépend également du type et des caractéristiques du matériau de la surface à traiter et de la puissance requise pendant l'utilisation.

Remplacement des pièces sujettes à l'usure

N'utilisez que des pièces détachées originales Von Arx EOOD ou des pièces de rechange indiquées dans les listes de pièces.

RÉPARATIONS

N'utilisez que des pièces détachées originales Von Arx EOOD ou des pièces de rechange indiquées dans les listes de pièces.

**Toute modification du câblage électrique est interdite !**

DÉFAUTS ET DÉPANNAGE

La machine ne démarre pas

- Vérifiez l'alimentation à connecter au réseau électrique.
- Vérifiez l'interrupteur principal. Remplacer si nécessaire.

Faible capacité d'effeuillage

- Vérifiez le bord de la lame. Une lame usée diminue considérablement la capacité d'effeuillage. Remplacer si nécessaire.

Bruits provenant de la tête oscillante

- Lubrifiez les roulements si nécessaire.
- Vérifiez les fixations du porte-lame.

La machine/lame saute du sol lors de l'utilisation.

- Vérifiez l'angle de la lame. Si la lame saute du sol, l'angle est peut-être trop faible. L'utilisation d'un angle trop raide [prononcé] peut endommager le sol. Réglez l'angle de la lame avec soin.

SPÉCIFICATIONS TECHNIQUES

Général

Numéro de série	aaa.bb.cc.xyz aaa = Type, bb = Année du modèle, cc = Mois, xyz = consécutif
Poids	155 kg / 342 lbs
Dimensions	500 × 1120 × 825 mm / 19,7 × 44,1 × 32,5"
Largeur de travail	250 — 270 mm / 9,8 — 10,6"
Distance au mur	110 mm / 4,3" (lame de base)
Taille du moteur électrique	90 L
Puissance	1,5 kW
Vitesse du moteur	2800 tr/min
Vitesse de la machine	10,6 m (34") / min
Interrupteur de protection du moteur	25 A / 115 V, 13,5 A / 230 V
Niveau de pression acoustique	≤ 90,5 db(A)
Niveau de puissance acoustique	≤ 98,0 db(A)
Niveau de vibration	8,8 m/s ²
Type de protection	IP 55

Code de l'article	Puissance	Consommation
800074	230 V/50 Hz	10,9 A
800081	115 V/50 Hz	22,4 A
800082	230 V/60 Hz	10,9 A

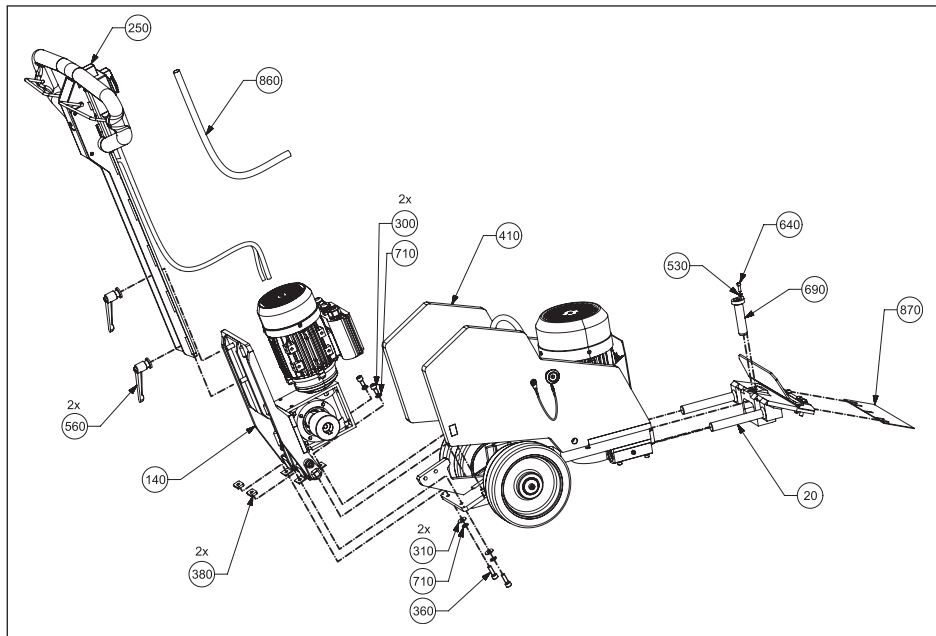
LISTE DES PIÈCES DÉTACHÉES



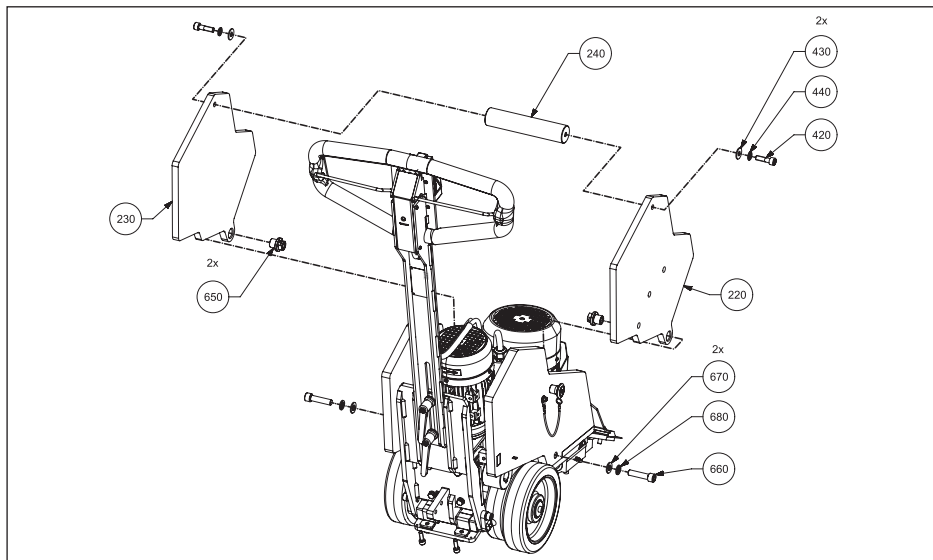
N'utilisez que des pièces détachées originales Von Arx EOOD ou les pièces de rechange indiquées dans la liste des pièces.

Grattoir de sol SC-25

Versions de machine : **A)** — 800074 : 230 V / 50 Hz, **B)** — 800081 : 115 V / 50 Hz, **B)** — 800082 : 230 V/60 Hz

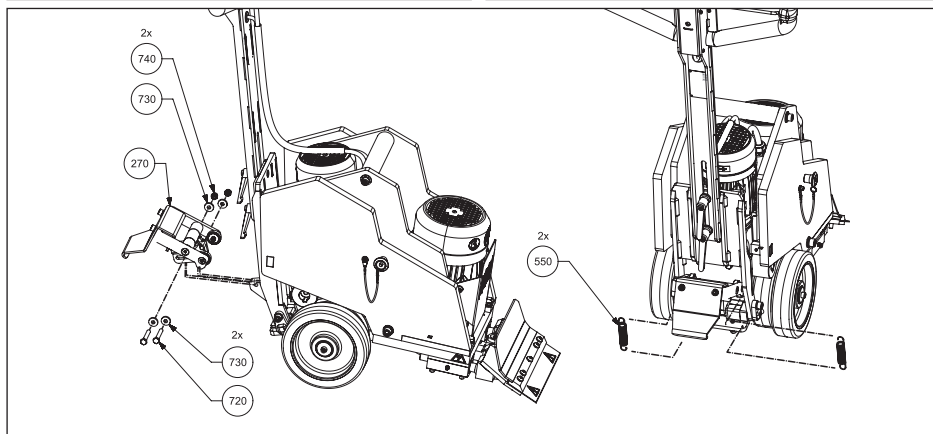


N°	Article	Nom de la pièce	V. de machine	N°	Article	Nom de la pièce	V. de machine
250	400083	JEU DE POIGNÉES	A	640	100595	VIS	
250	400509	JEU DE POIGNÉES	B	870	400123	LAME	
250	400514	JEU DE POIGNÉES	C	20	400024	JEU COULISSANT	
860	900450	ENROULEMENT DE CÂBLE		360	105923	VIS	
300	100286	VIS		710	100618	RONDELLE	
710	100618	RONDELLE		310	300010	RONDELLE	
410	400101	CHÂSSIS	A	380	400099	PLAQUE	
410	400510	CHÂSSIS	B	140	400151	JEU DE POIGNÉES	A
410	400511	CHÂSSIS	C	140	400506	JEU DE POIGNÉES	B
530	104727	RONDELLE		140	400507	JEU DE POIGNÉES	C



N°	Article	Nom de la pièce
240	400081	BARRE
430	300015	RONDELLE
440	104715	RONDELLE
420	300018	VIS
220	400079	CÔTÉ DROIT

N°	Article	Nom de la pièce
670	100129	RONDELLE
680	110537	RONDELLE
660	300101	VIS
650	400154	BAGUE
230	400078	CÔTÉ GAUCHE



N°	Article	Nom de la pièce
740	100263	ÉCROU
730	300086	RONDELLE
270	400089	LEVIER

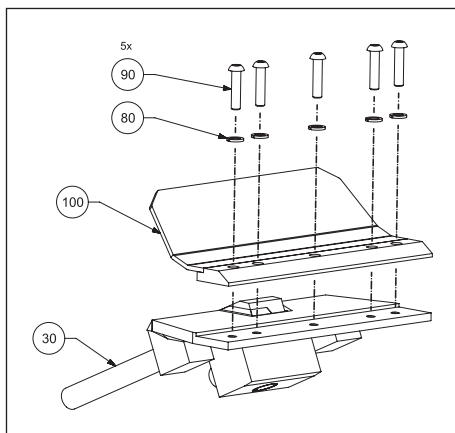
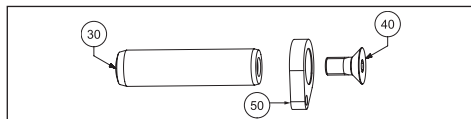
N°	Article	Nom de la pièce
720	109740	BOULON
550	400122	RESSORT

Jeu coulissant

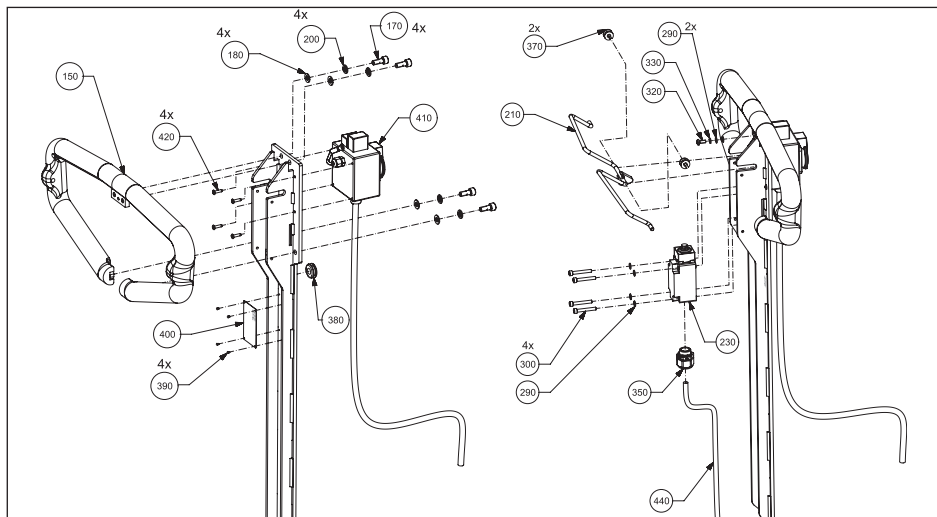
N°	Article	Nom de la pièce
30	400034	PORTE-LAME
80	100618	RONDELLE
90	300178	VIS
100	400183	TAMPON

Broche — jeu coulissant

N°	Article	Nom de la pièce
30	400034	PORTE-LAME
80	100618	RONDELLE
90	300178	VIS

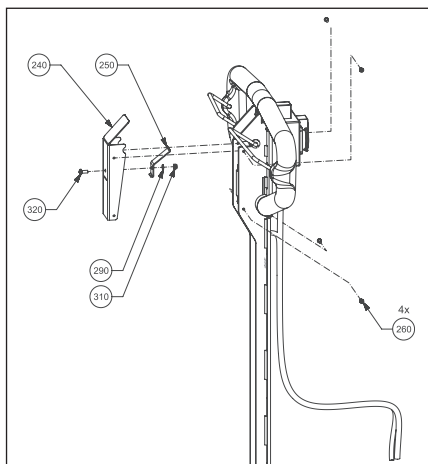
**Jeu de poignées en haut**

Versions de machine : **A) — 800074** : 230 V / 50 Hz, **B) — 800082** : 230 V/60 Hz



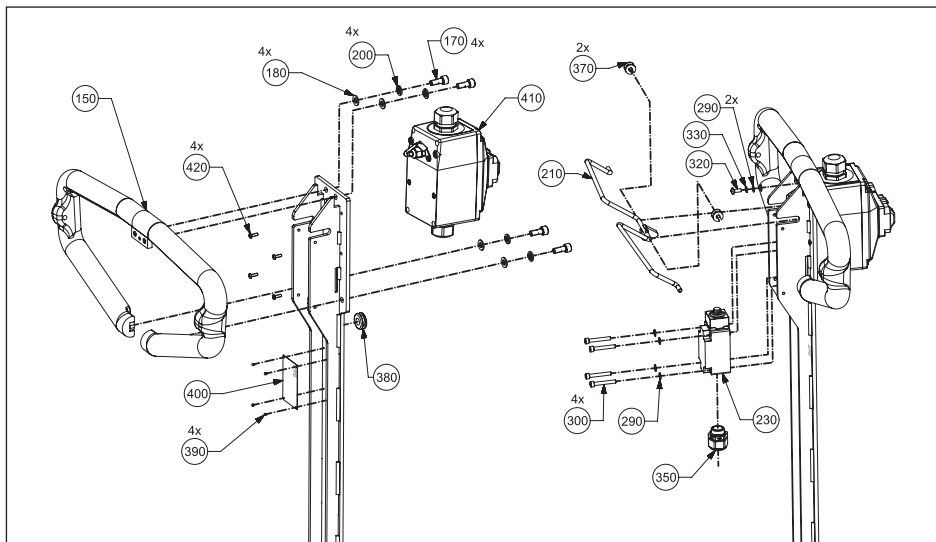
N°	Article	Nom de la pièce	N°	Article	Nom de la pièce	V. de machine
110	400131	JEU DE POIGNÉES	330	104727	RONDELLE	
150	400197	BARRE DE POIGNÉE	350	114813	GAINE DE CÂBLE	
170	100598	VIS	370	400209	BAGUE	
180	101670	RONDELLE	380	300164	PASSE-FIL OUVERT	
200	100618	RONDELLE	390	300165	VIS	
210	400199	LEVIER	400	703559	PLAQUE	
230	900402	INTERRUPTEUR	410	400270	INTERRUPTEUR 400083	A
290	100609	RONDELLE	410	400515	INTERRUPTEUR (400514)	B
300	103562	VIS	420	300083	VIS	

N°	Article	Nom de la pièce
240	400147	COUVERCLE
250	400148	RESSORT
260	300094	VIS
290	100609	RONDELLE
310	106665	ÉCROU
320	300085	VIS



Jeu de poignées en haut

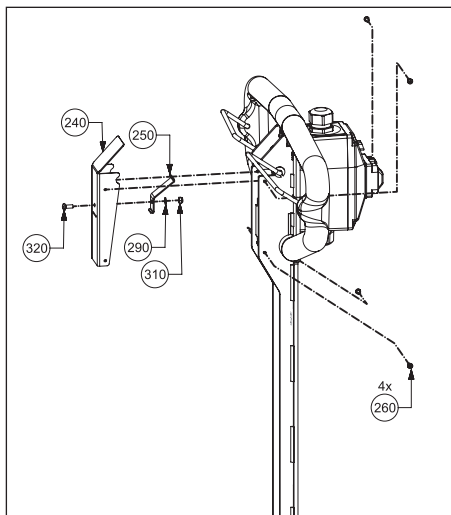
Version de machine : **800081** : 115 V/50 Hz



N°	Article	Nom de la pièce
110	400131	JEU DE POIGNÉES
150	400197	BARRE DE POIGNÉE
170	100598	VIS
180	101670	RONDELLE
200	100618	RONDELLE
210	400199	LEVIER
230	900402	INTERRUPTEUR
300	103562	VIS

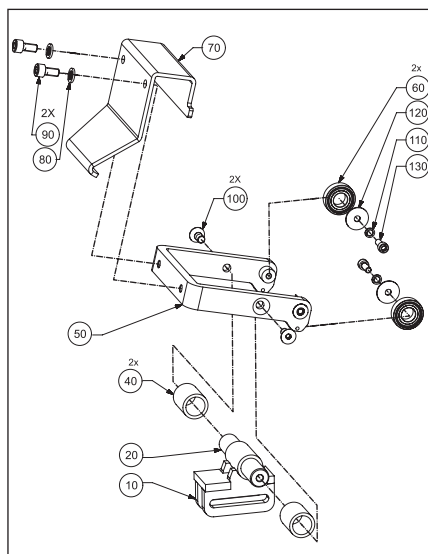
N°	Article	Nom de la pièce
330	104727	RONDELLE
350	114813	GAINE DE CÂBLE
370	400209	BAGUE
380	300164	PASSE-FIL OUVERT
390	300165	VIS
400	703559	PLAQUE
410	400508	INTERRUPTEUR
420	300084	VIS

N°	Article	Nom de la pièce
240	400147	COUVERCLE
250	400148	RESSORT
260	300094	VIS
290	100609	RONDELLE
310	106665	ÉCROU
320	300085	VIS



Levier — réglage de l'entraînement

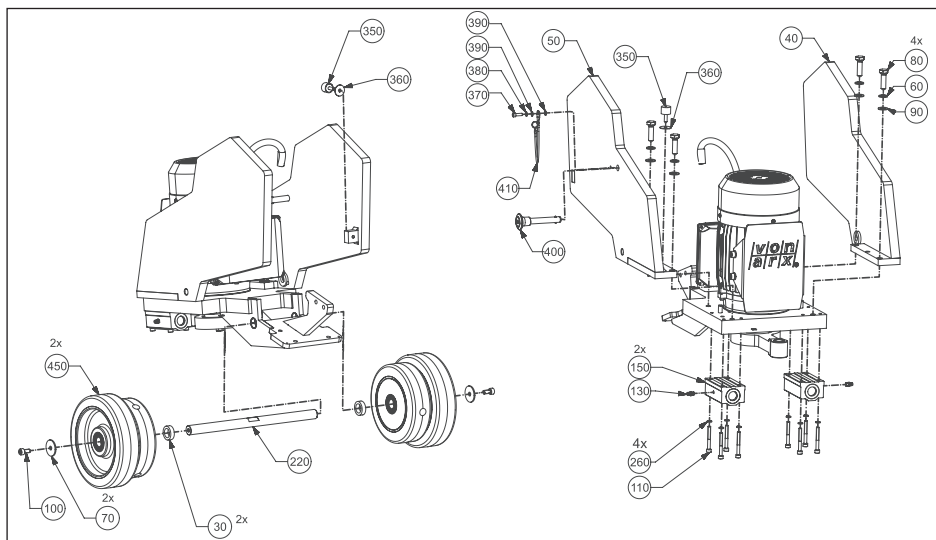
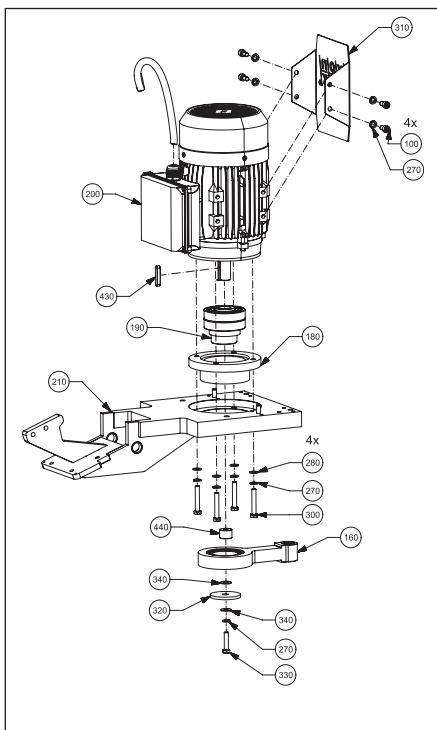
N°	Article	Nom de la pièce
10	400086	SUPPORT
20	400090	ARBRE
40	400092	ESPACEUR
50	400094	LEVIER
60	300042	PALIER
70	400100	PLAQUE
80	100618	RONDELLE
90	100286	VIS
100	101669	VIS
110	100302	RONDELLE
120	300103	RONDELLE
130	100301	VIS



Châssis

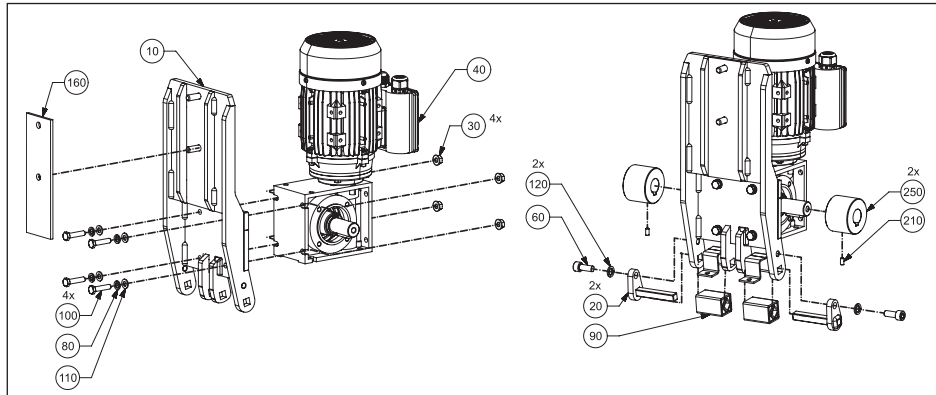
Versions de machine : **A) — 800074** : 230 V / 50 Hz, **B) — 800081** : 115 V / 50 Hz, **B) — 800082** : 230 V/60 Hz

N°	Article	Nom de la pièce	V. de machine
30	400063	ESPACEUR	
40	400064	CÔTÉ GAUCHE	
50	400068	CÔTÉ DROIT	
130	300046	NIPPLE D'HUILE	
150	300045	PALIER LINEAIRE	
180	400062	INSERT	
190	400059	ENCENTREUR	
200	900307	MOTEUR ÉLECTRIQUE (400101)	A
200	900435	MOTEUR ÉLECTRIQUE (400510)	B
200	900627	MOTEUR ÉLECTRIQUE (400511)	C
210	400195	CADRE DE BASE	
220	400052	ESSIEU	
320	400155	RONDELLE	
340	300010	RONDELLE	
350	300107	TAMPON EN CAOUTCHOUC	
360	300103	RONDELLE	
370	100595	VIS	
380	104727	RONDELLE	
390	100609	RONDELLE	
400	300108	BROCHE DE VERROUILLAGE	
410	300099	CÂBLE DE RETENUE	
440	400200	ESPACEUR	
450	400241	ROUE	
100	100286	VIS	
270	100618	RONDELLE	
430	108006	CLÉ PARALLELE	



Jeu de poignées du bas

Versions de machine : **A) — 800074** : 230 V / 50 Hz, **B) — 800081** : 115 V / 50 Hz, **B) — 800082** : 230 V/60 Hz

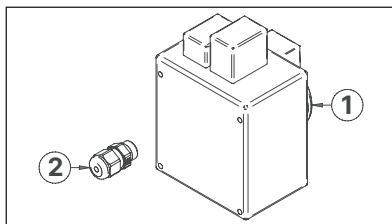


N°	Article	Nom de la pièce	V. de machine	N°	Article	Nom de la pièce
250	400189	ROUE		60	300006	VIS
240	300043	SUPPORT		20	400152	ESSIEU
10	400071	JEU DE POIGNÉES		80	100618	RONDELLE
90	300044	SUSPENSION		30	300089	ÉCROU
40	400139	MOTEUR ÉLECTRIQUE (400151)	A	100	106706	BOULON
40	400504	MOTEUR ÉLECTRIQUE (400506)	B	110	101670	RONDELLE
40	400505	MOTEUR ÉLECTRIQUE (400507)	C	160	400124	ADAPTATEUR
120	104715	RONDELLE		210	300013	VIS DE RÉGLAGE

Interrupteur électrique assemblé

Versions de machine : **A) — 800074** : 230 V / 50 Hz, **B) — 800082** : 230 V/60 Hz

N°	Article	Nom de la pièce	V. de machine
1	109373	INTERRUPTEUR ASSEMBLÉ 230 V (400270)	A
1	900057	INTERRUPTEUR ASSEMBLÉ 230 V (400515)	B
2	300071	GAINÉ DE CÂBLE À VIS M12 PLASTIQUE	



Interrupteur électrique assemblé

Version de machine : **800081** : 115 V/50 Hz

N°	Article	Nom de la pièce
1	900282	INTERRUPTEUR ASSEMBLÉ 115 V (400508)
2	300071	GAINÉ DE CÂBLE À VIS M12 PLASTIQUE

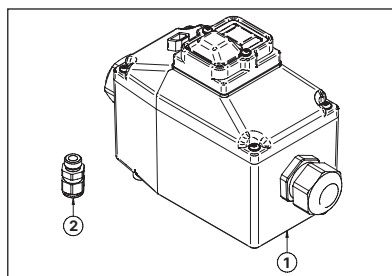


Schéma électrique

Versions de machine : **A) — 800074** : 230 V / 50 Hz, **B) — 800082** : 230 V/60 Hz

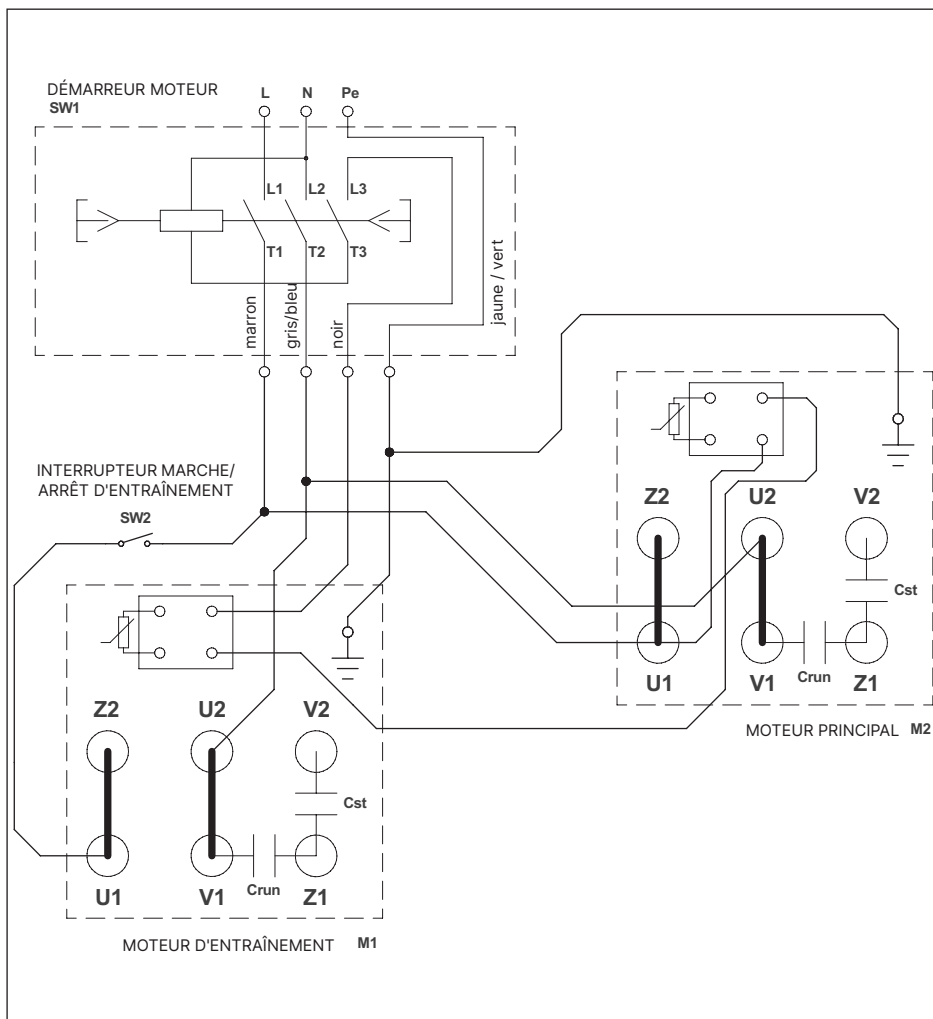
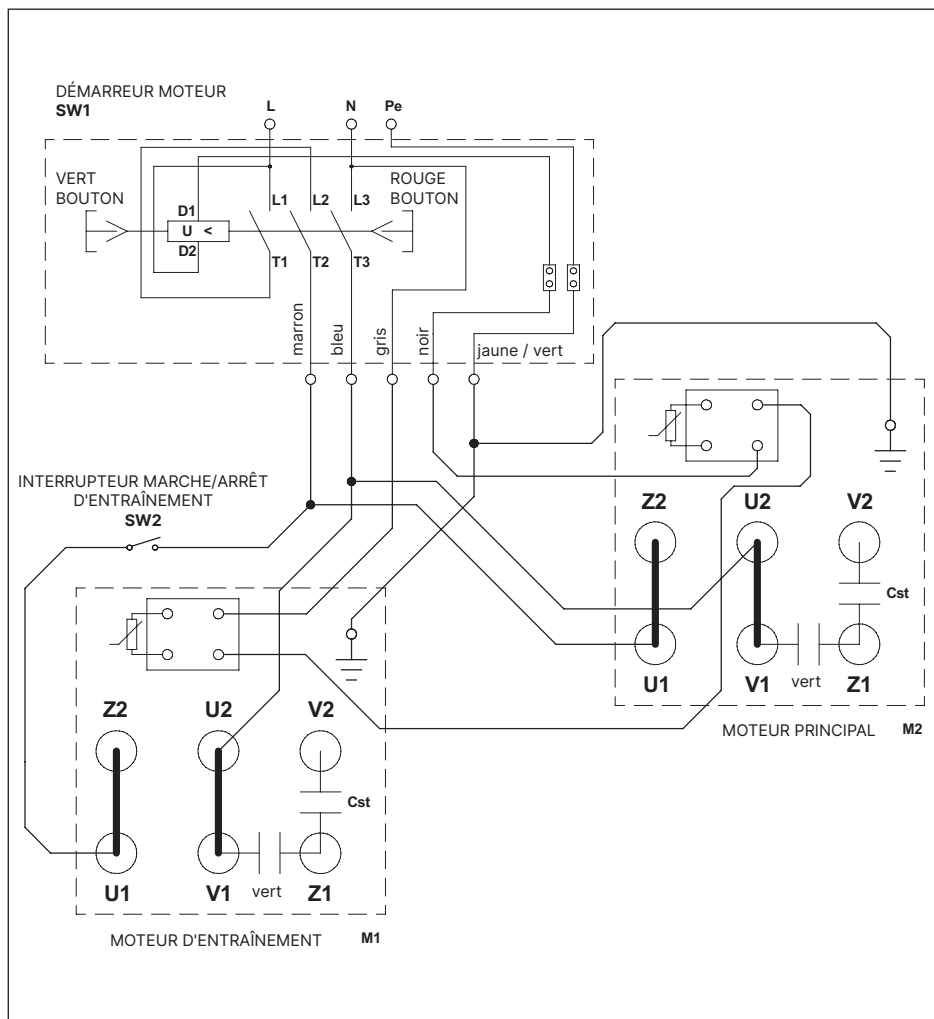


Schéma électrique

Version de machine : **800081** : 115 V/50 Hz



GARANTIE

Von Arx EOOD garantit le parfait fonctionnement de l'appareil pendant une période de 24 mois à compter de la date d'achat. Si le produit est utilisé en service posté, cette période de garantie est réduite de moitié.

Von Arx EOOD contrôle toutes les unités pour s'assurer qu'elles sont complètes et fonctionnent correctement avant qu'elles ne quittent l'usine.

Le client est tenu de contrôler la machine dès sa réception pour vérifier qu'elle ne présente pas de défauts ou de dommages causés pendant le transport et d'informer sans délai le centre de vente et le transporteur de tout dommage ou défaut.

Von Arx EOOD s'engage à corriger le plus rapidement possible tous les défauts manifestement dus à des vices de matériaux ou de fabrication dans le cadre de la période de garantie indiquée ou à organiser la réparation par l'intermédiaire d'un centre de service et de vente officiel de Von Arx.

Nous déclinons toute responsabilité pour les dommages dus à une manipulation incorrecte, au non-respect de ce mode d'emploi, à une surcharge, à une utilisation inadaptée, à un entretien incorrect ou à l'usure naturelle. Les réparations ou modifications effectuées par l'acheteur ou des tiers sans notre autorisation écrite sont à la charge du client et annulent immédiatement notre garantie.

En outre, aucune réclamation ne peut être prise en compte au titre de la garantie si des pièces autres que celles fabriquées ou recommandées par Von Arx EOOD sont utilisées.

Les lames sont des pièces d'usure et, de ce fait, ne sont pas couvertes par la garantie.

Von Arx EOOD ne peut être tenu responsable de tout dommage ou perte subis par l'acheteur directement ou indirectement (perte indirecte, manque à gagner, frais supplémentaires, etc.)

Les pièces achetées, telles que les moteurs, les interrupteurs, etc., sont garanties dans le cadre de la détermination de la garantie des fournisseurs correspondants.

Pour prouver l'éligibilité à une garantie, vous aurez besoin de la carte de garantie et de la facture commerciale correspondante de votre centre de vente.

DÉCLARATION DE CONFORMITÉ CE

au sens de la directive européenne sur les machines 2006/42/CE

Nous déclarons que l'outil indiqué ci-dessous est conforme aux exigences de base pertinentes en matière de santé et de sécurité de la directive CE en raison de sa conception et de sa construction et du modèle mis sur le marché par notre société. Toute modification de l'outil sans notre consentement entraîne l'annulation de la présente déclaration.

Normes appliquées :

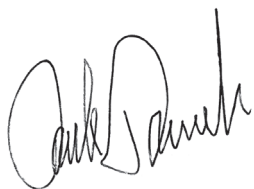
EN ISO 12100:2011, EN 60204-1:2019

Désignation de l'appareil :

Machine à gratter les sols

Type

SC 25 (230 V, 115 V)

Von Arx EOOD, 4000 Plovdiv / Bulgarie**Fredrik Åkermark**

Propriétaire

Plovdiv, 13 septembre 2021

Responsable de la documentation technique :

ing. Maria Spasova

Fabricant

Von Arx EOOD

Rue Nedyalka Shileva 20

4000 Plovdiv, Bulgarie

Tél : +359 32 94 05 53

E-mail : order@vonarx.com

www.vonarx.com



EN: Operating manual: (p. 3)

DE: Betriebsanleitung: (S. 29)

FR: Mode d'emploi: (pp. 55)

ES: Instrucciones de manejo: (pág. 81)



SC 25

RASPADOR DE SUELOS VON ARX



ES

**von
arx**®
TRUE QUALITY SINCE 1941

TABLA DE CONTENIDO

Notas para el usuario	84
Antes de usar.....	84
Lectura de estas Instrucciones de manejo.....	84
Derechos de autor ©	84
Marcas comerciales ®.....	84
Patentes	84
Ilustraciones y modificaciones técnicas	84
Traducciones	84
Conservación.....	84
Más información	84
Listas y piezas marcadas en estas Instrucciones de manejo.....	85
Piezas marcadas	85
Instrucciones de seguridad.....	85
NOTA: Vibraciones mano-brazo	86
Uso para el fin previsto.....	87
Riesgo residual	87
Seguridad y responsabilidad en el trabajo	87
Otras instrucciones de seguridad.....	87
Campo de aplicación	87
Herramientas	88
Cuchillas.....	88
Montaje de las cuchillas	89
Montaje del cincel	89
Descripción de la máquina y modo de manejo básico	89
Construcción de la máquina.....	89
Función	90
Funcionamiento de la máquina	90
Transporte de la máquina.....	90
Inclinación máxima permitida.....	90
Funcionamiento	91
Puesta en marcha.....	91
Preparación del trabajo.....	91
Ajuste del ángulo de la cuchilla.....	91
Ajuste del peso.....	92
Puesta en marcha y uso	92
Conservación de la máquina.....	93

Cuidado y mantenimiento.....	93
Plan de mantenimiento	93
Lubricación.....	93
Reemplazo de cuchillas	93
Desgaste	94
Reparaciones	94
Averías y resolución de problemas	94
La máquina no se pone en marcha	94
Baja capacidad de pelado	94
Ruidos del cabezal oscilante.....	94
La máquina/cuchilla salta del suelo cuando se usa	94
Especificaciones técnicas.....	95
Lista de repuestos	96
Raspador de suelos SC-25.....	96
Juego deslizante	98
Juego de manillares superior	98
Juego de manillares superior	99
Palanca: Ajuste de accionamiento.....	100
Chasis	101
Juego de manillares inferior	102
Interruptor eléctrico montado.....	102
Interruptor eléctrico montado	102
Sistema eléctrico.....	103
Sistema eléctrico.....	104
Garantía.....	105
Declaración de conformidad CE	106
en el sentido de la directiva de máquinas CE 2006/42/CE.....	106

NOTAS PARA EL USUARIO

Antes de usar

Es extremadamente importante que haga lo siguiente:

- Se asegure de que el paquete esté completo y compruebe los posibles daños causados durante el tránsito/transporte.
- Respete las instrucciones de seguridad.
- Lea las Instrucciones de manejo.

Lectura de estas Instrucciones de manejo

Si tiene alguna pregunta después de leer estas Instrucciones de manejo, póngase en contacto con el fabricante o con el centro de servicio más cercano. El fabricante no se responsabiliza de los daños o averías derivados del incumplimiento de las Instrucciones de manejo.

Derechos de autor ©

El texto y las ilustraciones no se pueden copiar ni reproducir sin la autorización expresa de Von Arx EOOD.

Marcas comerciales ®

Las palabras "Von Arx" y el logotipo de "Von Arx" son marcas comerciales registradas y protegidas internacionalmente. Su uso por parte de terceros está prohibido.

Patentes

Diversos componentes y procesos enumerados e ilustrados en estas Instrucciones de manejo están pendientes de patente o ya se han otorgado patentes nacionales e internacionales.

Ilustraciones y modificaciones técnicas

Las ilustraciones pueden diferir de la máquina real y aparecen sin ninguna obligación por nuestra parte. Con el fin de satisfacer las demandas de los clientes que cambian rápidamente, nos reservamos el derecho de realizar modificaciones técnicas sin previo aviso.

Traducciones

Únicamente la versión en inglés de estas Instrucciones de manejo es legalmente vinculante. La versión en inglés de este manual se considera como las "Instrucciones originales".

Conservación

Conserve esta Instrucciones de manejo en un lugar seguro y disponible para el usuario.

Más información

Fabricante:
Von Arx EOOD,
4000 Plovdiv
Teléfono: +359 32 94 05 53
País de origen: Bulgaria

LISTAS Y PIEZAS MARCADAS EN ESTAS INSTRUCCIONES DE MANEJO

Piezas marcadas

Lea y observe siempre las instrucciones de seguridad de estas Instrucciones de manejo. Las instrucciones de seguridad están marcadas de la siguiente manera:



El incumplimiento de una instrucción marcada con este símbolo puede provocar lesiones graves o la muerte.



El incumplimiento de una instrucción marcada con este símbolo puede dañar la máquina o causar daños a la propiedad.



Marque cualquier información explicativa o instrucciones especiales.

INSTRUCCIONES DE SEGURIDAD



Mantenga su estación de trabajo ordenada.

- El desorden en su área de trabajo puede ser causa de accidentes.



Sea precavido.

- Sea siempre consciente de sus acciones. Use el sentido común durante el trabajo. No maneje la máquina o la herramienta cuando esté distraído.



Evite una postura poco natural.

- Asegúrese de estar firmemente apoyado en el suelo mientras trabaja y mantenga el equilibrio en todo momento.



Use ropa de protección adecuada.

- No use ropa holgada ni joyas, ya que podrían quedar atrapadas en las piezas móviles.
- Cubra el cabello largo con una redecilla.
- El operador de la máquina debe usar gafas, guantes, protectores auditivos y calzado de seguridad antideslizante.
- Use una máscara antipolvo si el trabajo genera polvo.



Tenga en cuenta su entorno de trabajo.

- Nunca use la máquina o la herramienta cerca de materiales explosivos (el motor eléctrico puede producir chispas).
- Nunca use una herramienta eléctrica que esté húmeda o mojada (descarga eléctrica).
- Proteja la máquina o la herramienta de la humedad, el agua, el calor y el frío extremo, las soluciones químicas y los gases.



Mantenga a otras personas alejadas.

- Mantenga a otras personas, especialmente a los niños, alejadas de la máquina o la herramienta y del cable de alimentación.
- Mantenga a otras personas fuera de su área de trabajo mientras trabaja.



Revise la máquina o la herramienta en busca de posibles daños.

- Antes de empezar a trabajar, se deben inspeccionar los dispositivos de seguridad o las piezas ligeramente dañadas y asegurarse de que funcionen satisfactoriamente para el fin previsto.
- Los dispositivos de seguridad y los interruptores dañados deben ser reparados o reemplazados por un centro de servicio autorizado. No use la herramienta eléctrica si los interruptores no se pueden encender o apagar.



No transporte la máquina.

- Por razones de seguridad y salud, las máquinas pesadas no deben ser transportadas a mano.

**Nunca abandone una máquina que no esté en un estado seguro.**

- Antes de abandonar la máquina, apague el motor y retire la cuchilla.
- Asegure la máquina colocando cuñas debajo de las ruedas.
- Interrumpa los contactos de encendido o retire el enchufe de alimentación.

**No retire los dispositivos de protección.**

- Solo maneje la máquina cuando todos los dispositivos de protección instalados en fábrica estén montados y en buen estado de funcionamiento.

**Use la máquina solo en superficies horizontales.**

- La máquina raspadora de suelos solo se debe usar en superficies horizontales.
- Asegúrese de que las ruedas traseras se apoyen firmemente sobre la superficie a tratar.

**No haga un mal uso del cable de alimentación eléctrica.**

- No use el cable para sacar el enchufe de la toma de corriente.
- Proteja el cable contra el calor, el aceite y los bordes afilados.
- Coloque el cable eléctrico de tal manera que no pueda dañarse por las herramientas de trabajo.
- Al aire libre, use únicamente cables de extensión especialmente autorizados y debidamente marcados.
- Use únicamente cables eléctricos con una sección adecuada y la longitud necesaria.
- Desenrolle completamente el cable de extensión del tambor del cable.

**Es imprescindible que cumpla con las Instrucciones de manejo del fabricante del motor eléctrico y con las siguientes normas.**

- Cuando no esté en uso, asegúrese de que la máquina esté desconectada de la fuente de alimentación.
- Está prohibido realizar modificaciones en el cableado eléctrico que puedan perjudicar la seguridad o alterar las funciones originales de regulación y control.
- Las reparaciones del cableado eléctrico solo se pueden realizar por un electricista calificado.

**No retire los dispositivos de seguridad.**

- Los dispositivos de protección dañados en las máquinas deben ser repararse o reemplazarse en un taller de servicio al cliente.
- Solo maneje la máquina si todos los dispositivos de protección montados en la fábrica están en su lugar y en buen estado de funcionamiento.
- No maneje la máquina a menos que el interruptor de parada de emergencia funcione correctamente.

**Lugar de funcionamiento y lugar de trabajo**

Cuando trabaje con la máquina, el operador deberá situarse siempre detrás del manillar. Desde esta posición puede monitorear permanentemente y, si es necesario, corregir el trabajo que se va a realizar. De pie en esta posición, el operador de la máquina puede:

- dirigir la máquina
- detener la máquina
- accionar todos los elementos de manejo y control (como el pedal de ajuste del ángulo de la cuchilla, la parada de emergencia) mientras la máquina está en uso

NOTA: Vibraciones mano-brazo

El trabajo con el SC-25 conlleva un estrés por vibración. Siga las disposiciones legales en cuanto al tiempo de manejo permitido.

Adhesivos de seguridad en la máquina



Advertencia: cuchilla afilada



Se debe usar calzado de seguridad.



Advertencia: peligro de descarga eléctrica



Estudie las Instrucciones de manejo.



Se deben usar protectores auditivos.



Usar gafas protectoras

Los adhesivos de seguridad dañados o perdidos se deben reemplazar inmediatamente. Estos adhesivos se pueden obtener en su centro de atención al cliente.

Uso para el fin previsto

Las máquinas están diseñadas exclusivamente para el tratamiento de revestimientos de suelos horizontales. Cualquier otro uso no corresponde al fin previsto. El fabricante declina toda responsabilidad por los daños causados por ello (consulte también “Campo de aplicación” en la página 87).

Riesgo residual

Existe un riesgo residual debido a las diferentes características de los revestimientos del suelo, incluso si la máquina se usa de acuerdo con las normas aplicables. Si detecta un desprendimiento irregular del revestimiento del suelo, debe ajustar el ángulo de la cuchilla a una posición adecuada y comprobar el afilado.

Seguridad y responsabilidad en el trabajo

- Contribuya a la seguridad en el lugar de trabajo.
- Informe inmediatamente a la persona responsable de cualquier discrepancia que se desvíe del funcionamiento normal.
- Realice todo el trabajo con una conciencia de la necesidad de seguridad.

Otras instrucciones de seguridad

Asegúrese de cumplir con las normas, los estándares y las directivas locales o nacionales.

CAMPO DE APLICACIÓN

Una máquina raspadora de suelos es una herramienta eléctrica accionada por motor guiada a mano con un cabezal oscilante que está diseñada para eliminar capas de material del suelo. Su cuchilla afilada es una herramienta eficaz para desprender el adhesivo del suelo viejo y dejar una superficie limpia y lisa. El raspador de suelos con sus diferentes cuchillas está diseñado para lo siguiente:

- Desmontar revestimientos de suelos
- Levantar baldosas textiles y alfombras con soporte de espuma
- Retirar el fieltro, la capa base
- Suelos de linóleo y vinilo
- Baldosas de corcho y esteras
- Baldosas, cerámica.

La máquina trabaja sobre superficies de enlucido, látex, hormigón o madera y levanta los revestimientos del suelo con un mínimo de residuos y respaldo. También se puede usar para crear un efecto envejecido en los suelos de madera. La máquina trabaja bajo su peso sobre el suelo y debe ser conducida por un operador.

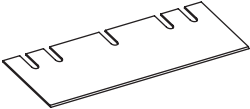
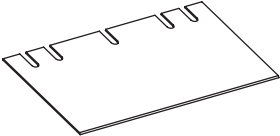
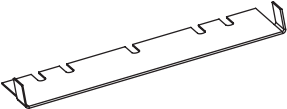
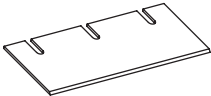
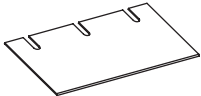
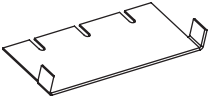
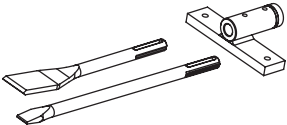


Usar con baldosas y cerámica únicamente después de instalar el adaptador de cincel y el cincel. La máquina no debe usarse para ningún otro fin que no sea el indicado anteriormente.

HERRAMIENTAS

La mejor manera de determinar la herramienta adecuada para su aplicación particular es mediante pruebas. La siguiente descripción solo proporciona valores orientativos. Use siempre las herramientas adecuadas proporcionadas por el fabricante para lograr los resultados deseados.

Cuchillas

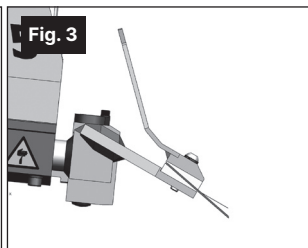
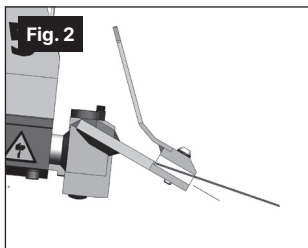
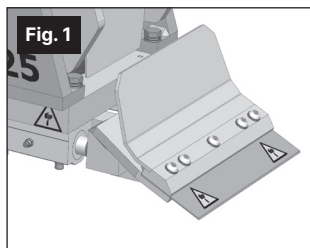
<p>Básico: 400123 (250×80×1.5 mm/9.8×3.1×0.06 in)</p> <ul style="list-style-type: none"> • Desmontar revestimientos de suelos • Levantar baldosas textiles y alfombras con soporte de espuma • Baldosas de corcho y esteras 	
<p>Longitud: 400238 (250×130×1.5 mm)</p> <ul style="list-style-type: none"> • Desmontar revestimientos de suelos • Levantar baldosas textiles y alfombras con soporte de espuma • Baldosas de corcho y esteras 	
<p>Cuchilla en U: 400213 (270×80×1.5 mm/10.6×3.1×0.06 in)</p> <ul style="list-style-type: none"> • Retirar el fieltro, la capa base • Suelos de linóleo y vinilo • Esteras 	
<p>Cuchilla para restos: 400217 (200×80×2.5 mm/7.9×3.1×0.1 in)</p> <ul style="list-style-type: none"> • Revestimientos del suelo con pegamento duro • Restos 	
<p>Opcional: Cuchilla básica SC-20: 400110 (200×100×1.5 mm/7.9×3.9×0.06 in)</p> <ul style="list-style-type: none"> • Desmontar revestimientos de suelos • Levantar baldosas textiles y alfombras con soporte de espuma • Baldosas de corcho y esteras 	
<p>Opcional: Cuchilla en U SC-20: 400215 (230×100×2 mm/9.1×3.9×0.08 in)</p> <ul style="list-style-type: none"> • Retirar el fieltro, la capa base • Suelos de linóleo y vinilo • Esteras 	
<p>Opcional: Juego de cinceles: 400253 (Sujetador de cincel, cincel: 25×280 mm/0.98×11 in, Cincel: 50×300 mm/1.98×11.8 in)</p> <ul style="list-style-type: none"> • Baldosas • Parqué • Restos duros 	

Montaje de las cuchillas

En el paquete original se incluye 1 pieza de llave hexagonal de 5 mm, 1 pieza de cuchilla básica y 2 piezas de adaptadores de cuchilla.

Busque la cuchilla, la llave y los adaptadores en el paquete.

1. Inclíne la máquina y asegúrela para que no se vuelque.
2. Coloque la cuchilla en el portacuchillas y asegúrela con los tornillos usando la llave hexagonal provista.
3. Monte la cuchilla en la posición neutral sin los adaptadores. (Fig. 1).
4. Use los adaptadores para fijar la cuchilla en las posiciones alta (Fig. 2) o baja (Fig. 3).

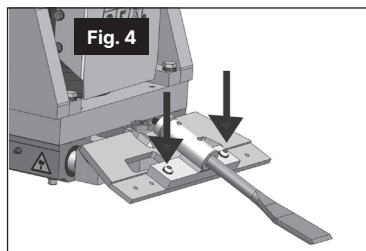


Montaje del cincel

El juego de cincelos viene como accesorio.

El paquete original incluye 1 pieza de llave hexagonal de 5 mm para el montaje.

- Busque el cincel y los tornillos en el paquete.
- Inclíne la máquina y asegúrela para que no se vuelque.
- Coloque el cincel en el adaptador de cincel y asegúrelo con los tornillos usando la llave hexagonal provista.
- Retire el portacuchillas superior.
- Monte el sujetador de cincel en el portacuchillas inferior y use los tornillos para ajustarlo (Fig. 4).



DESCRIPCIÓN DE LA MÁQUINA Y MODO DE MANEJO BÁSICO

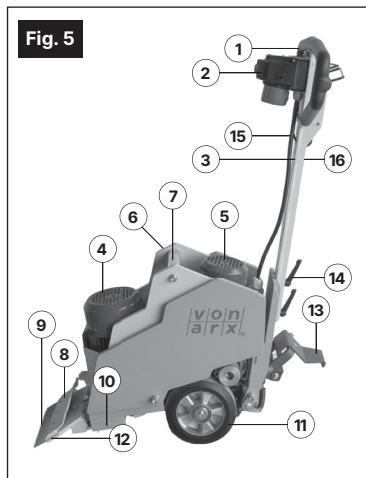
Construcción de la máquina

1. Empuñadura: empuñadura de sujeción y guía de la máquina.
2. Interruptor eléctrico con enchufe: interruptor para el motor eléctrico. 2 posiciones: Encendido (botón verde), Apagado (botón rojo).
3. Manillar: regulación de la altura del manillar.
4. Motor principal: responsable de mover el portacuchillas.
5. Motor de accionamiento: responsable de que la máquina vaya hacia delante.
6. Pesos laterales.
7. Manillar de transporte.



Solo se usa cuando la máquina está apagada.

8. Portacuchillas: se usan para sujetar firmemente todo tipo de cuchillas para la máquina.
9. Cuchilla



10. Boquillas de lubricación: se usan para lubricar el mecanismo oscilante.
11. Ruedas: 2 rodillos fijos para guiar la máquina.
12. Mecanismo de ajuste del ángulo de la cuchilla: se usa para ajustar la cuchilla al ángulo de operación deseado.
13. Juego de pedales: hace funcionar el accionamiento delantero de la máquina.
14. Abrazaderas: sujeta el manillar después del ajuste de altura del manillar.
15. Cable eléctrico
16. Placa del producto

Función

La máquina puede equiparse con diferentes tipos de cuchillas que se usan para eliminar diferentes tipos de material de suelo. El cabezal oscilante del raspador se puede accionar por una gama de motores.

Al guiar la máquina hacia adelante, la cuchilla raspa el material del suelo.

Funcionamiento de la máquina

- Ajuste del ángulo: ajuste el ángulo de la cuchilla para asegurar el mejor rendimiento de pelado de la unidad.
- Ajuste del peso: fije el peso en la posición de funcionamiento.
- Bloquee el mecanismo del pedal para activar la función de accionamiento automático si trabaja hacia delante de forma continua.
- Puesta en marcha: presione el botón verde del interruptor.
- Alimentación: el operador de la máquina debe guiarla por el manillar, usando la palanca de arranque del manillar para conducir hacia delante. El operador de la máquina debe dirigirla en la dirección de corte sobre la superficie del suelo en la que se va a trabajar. La máquina se presiona contra el suelo y la cuchilla raspa el material del suelo.
- Desconexión: presione el botón rojo del interruptor.

Transporte de la máquina

1. Retire la cuchilla.
2. Fije el peso en la posición de transporte. Debido a su peso, la máquina debe levantarse con una grúa. (Fig. 6).



¡Nunca agarre la cuchilla o el portacuchillas!



La cuchilla debe desmontarse antes de ser transportada. Existe un gran peligro para los operadores que dejan la cuchilla en la máquina durante el transporte.

Inclinación máxima permitida

No incline la máquina en ninguna de las direcciones laterales. Debido a su base corta, cualquier inclinación puede causar un desequilibrio de la máquina y del rendimiento.



FUNCIONAMIENTO

Puesta en marcha

Lea completamente las siguientes instrucciones de montaje antes de montar el producto.

- Fije el manillar a la altura apropiada, lo que garantiza la postura correcta del cuerpo al deslizarlo en la ranura de la máquina.
- Asegure el manillar con las abrazaderas (Fig. 8).
- Coloque la cuchilla en el portacuchillas y asegúrela con 5 los tornillos provistos (Fig. 9).

El conector Schuko (16 A) también está disponible en los países en los que no se ha establecido este sistema de conexión.

Se debe disponer de un cable de extensión para conectar la máquina. Desenrolle completamente el cable de extensión del tambor del cable. Use únicamente cables de extensión permitidos (máx. 30 m).

Preparación del trabajo

! La máquina debe desconectarse de la fuente de alimentación antes de realizar cualquier tipo de trabajo.

Revise su máquina para ver si está dañada.

! Compruebe si las piezas móviles funcionan correctamente.

! Los dispositivos de protección y las piezas dañadas se deben reparar por expertos o reemplazar por un taller de servicio al cliente.

! Asegúrese de que la máquina esté completamente apagada y detenida antes de ajustar la unidad. Desconecte la máquina de la fuente de alimentación. Use guantes de trabajo por su propia seguridad.

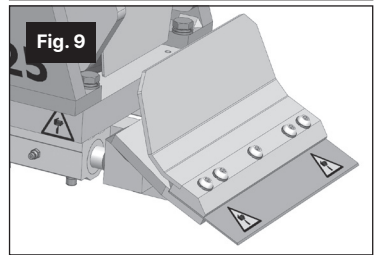
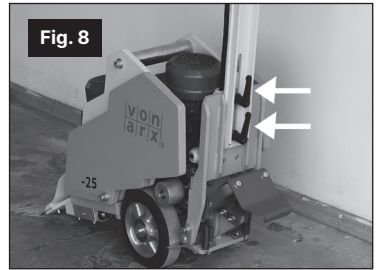
Ajuste del ángulo de la cuchilla

Ajuste el ángulo de la cuchilla para asegurar el mejor rendimiento de pelado de la unidad.

! Si la cuchilla salta desde el suelo, puede que el ángulo sea demasiado bajo.

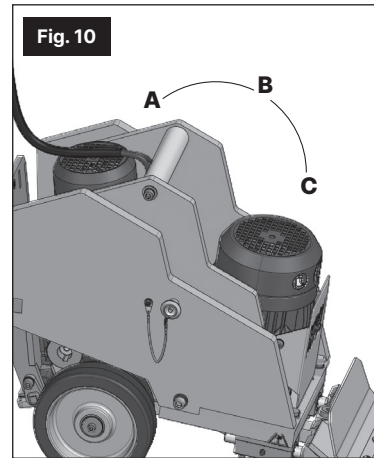
! El uso de un ángulo demasiado pronunciado puede causar daños en el suelo.

! Asegúrese de que la máquina esté completamente apagada y detenida antes de ajustar la unidad. Desconecte la unidad de la fuente de alimentación.



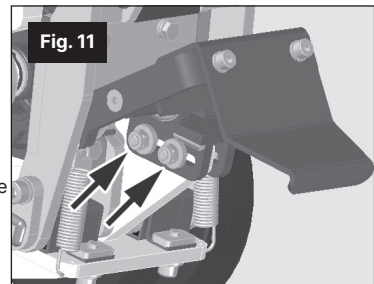
Ajuste del peso

- El peso tiene 3 posiciones diferentes para un uso específico.
 - Posición de almacenamiento (A): fije el peso en esta posición cuando no esté usando la máquina.
 - Posición de transporte (B): fije el peso en esta posición cuando transporte la máquina. El manillar puede usarse como punto de acoplamiento para las grúas.
 - Posición de trabajo (C): fije el peso en esta posición antes de empezar a trabajar con la máquina.
- Se asegura el peso con una clavija de posicionamiento que se asegura con una clavija de seguridad.
- Presione la clavija de seguridad y tire de la clavija de posicionamiento para sacarla del orificio y poder cambiar la posición de la cuchilla.
- Vuelva a presionar la clavija de posicionamiento después de fijar el peso en la posición deseada y suelte la clavija de seguridad.



Puesta en marcha y uso

- Antes de poner en marcha la máquina, póngase todos los dispositivos de protección necesarios como se recomienda en "Instrucciones de seguridad" en la página 85.
- Enchufe la máquina a la fuente de alimentación adecuada y presione el botón verde en el manillar superior. Esté preparado para que la cuchilla comience a moverse inmediatamente.
- Active la tracción delantera de la máquina de la siguiente manera:
 - Bloquee el pedal para una tracción delantera continua y ajuste la presión de las ruedas desde el mecanismo del pedal si es necesario (Fig. 11).
 - Presione el manillar hacia delante con el pedal suelto en todo momento durante el funcionamiento para activar el engranaje. (Para soltar el pedal, presione el manillar con más fuerza hacia delante hasta que se desbloquee).
- Mueva la máquina hacia delante en los revestimientos. La cuchilla oscilante debe cortar debajo del material y retirarlo del suelo.
- Si el motor de accionamiento no suministra suficiente fuerza al retirar los revestimientos con pegamento duro, el usuario debe empujar la máquina con más fuerza hacia delante con el pedal suelto.



Nunca fuerce la máquina. Si fuerza demasiado la máquina de forma manual, el motor de accionamiento se detendrá o se dañará. El movimiento hacia atrás de la máquina debe realizarse manualmente con el pedal suelto.



Nunca deje que las ruedas traseras se levanten del suelo, ya que es peligroso para el usuario y la máquina puede resultar dañada (Fig. 8).

- Si tiene dificultades para retirar el material, use la esquina de la cuchilla.
- Presione el botón rojo en el manillar superior para detener la máquina.

Conservación de la máquina

La máquina debe limpiarse de inmediato después de cada uso. Asegúrese de que el área de almacenamiento esté bien ventilada, seca, cubierta o en interiores, libre de cualquier posible peligro de incendio, y de que la temperatura esté por encima de la temperatura de congelamiento para mayor protección y longevidad de la unidad. Limpie las ruedas y el cuerpo, y lubrique la máquina antes de guardarla. Asegúrela cuando la transporte con correas o con ganchos de cable.

CUIDADO Y MANTENIMIENTO

Plan de mantenimiento

La máquina ha sido especialmente diseñada para reducir al mínimo el tiempo necesario para los trabajos de mantenimiento. Sin embargo, algunos trabajos de mantenimiento son imprescindibles. Esto permitirá que la máquina funcione sin problemas y le proporcione un buen servicio durante muchos años.



Interrumpa siempre el suministro de energía antes de realizar trabajos de mantenimiento.

- Retire el enchufe de alimentación.
- Deje que el motor se enfríe por completo.

Diariamente o después de cada 10 horas de funcionamiento:

- Limpie el exterior de la máquina.

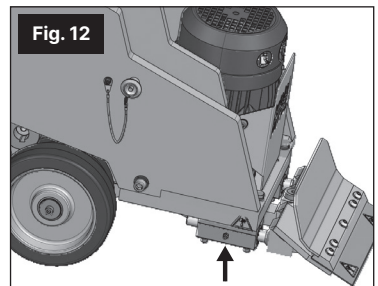


No use disolventes.

- Compruebe el estado de la cuchilla.
- **Semanalmente o después de cada 50 horas de funcionamiento:**
- Compruebe los rodamientos (acuda al servicio posventa para cambiar los rodamientos dañados).
- Compruebe las conexiones atornilladas (apriete las conexiones atornilladas sueltas, acuda al servicio posventa para cambiar los conjuntos dañados).

Lubricación

La máquina se debe lubricar diariamente antes de comenzar la operación (Fig. 12). Las boquillas de lubricación están ubicadas en el lateral del cuerpo principal. Presione un máximo de 3 a 4 veces con la pistola engrasadora. Nunca presione demasiada grasa en la máquina.



Reemplazo de cuchillas

Asegúrese de que el raspador de suelos esté completamente apagado, enfriado y detenido antes de realizar el mantenimiento de la unidad. Desconecte la unidad de la fuente de alimentación. Use guantes de trabajo por su propia seguridad.

- Inclíne la máquina y asegúrela para que no se vuelque.
- Limpie y afloje los tornillos que sujetan la cuchilla al portacuchillas.
- Retire la cuchilla usada.
- Coloque la cuchilla nueva en el portacuchillas y asegúrela con los tornillos.

Desgaste

Todas las cuchillas están sujetas a desgaste después de un período de uso determinado. Luego se deben reemplazar.



Las cuchillas desgastadas pueden frenar y causar daños o lesiones graves.

La vida útil de los componentes individuales varía. Además del desgaste provocado por el uso operativo, también depende del tipo y las características del material de la superficie a tratar y de la potencia requerida durante el uso.

Cambio de piezas sujetas a desgaste

Use únicamente piezas de repuesto originales de Von Arx EOOD o las piezas de repuesto indicadas en las listas de piezas.

REPARACIONES

Use únicamente piezas de repuesto originales de Von Arx EOOD o las piezas de repuesto indicadas en las listas de piezas.



Están prohibidas las alteraciones del cableado eléctrico.

AVERÍAS Y RESOLUCIÓN DE PROBLEMAS

La máquina no se pone en marcha

- Compruebe la fuente de alimentación que se conectará a la red eléctrica.
- Compruebe el interruptor principal. Reemplace si es necesario.

Baja capacidad de pelado

- Compruebe el borde de la cuchilla. El desgaste de la cuchilla reduce significativamente la capacidad de pelado. Reemplace si es necesario.

Ruidos del cabezal oscilante

- Lubrique los rodamientos si es necesario.
- Verifique los sujetadores del portacuchillas.

La máquina/cuchilla salta del suelo cuando se usa.

- Compruebe el ángulo de la cuchilla. Si la cuchilla salta desde el suelo, puede que el ángulo sea demasiado bajo. El uso de un ángulo demasiado pronunciado puede causar daños en el suelo. Ajuste el ángulo de la cuchilla con cuidado.

ESPECIFICACIONES TÉCNICAS

Generalidades

Número de serie	aaa.bb.cc.xyz aaa = tipo, bb = año del modelo, cc = mes, xyz = consecutivo
Peso	155 kg/342 lb
Dimensiones	500×1120×825 mm/19,7×44,1×32,5 in
Ancho de trabajo	250-270 mm/9,8-10,6 in
Distancia a la pared	110 mm/4,3 in (cuchilla básica)
Tamaño del motor EL	90 L
Potencia	1,5 kW
Velocidad del motor	2800 RPM
Velocidad de la máquina	10,6 m (34 in)/min
Interruptor de protección del motor	25 A/115 V, 13,5 A/230 V
Nivel de presión de sonido	≤90,5 db (A)
Nivel de potencia acústica	≤98,0 db (A)
Nivel de vibración	8,8 m/s ²
Tipo de protección	IP 55

Código de artículo	Potencia	Consumo
800074	230 V/50 Hz	10,9 A
800081	115 V/50 Hz	22,4 A
800082	230 V/60 Hz	10,9 A

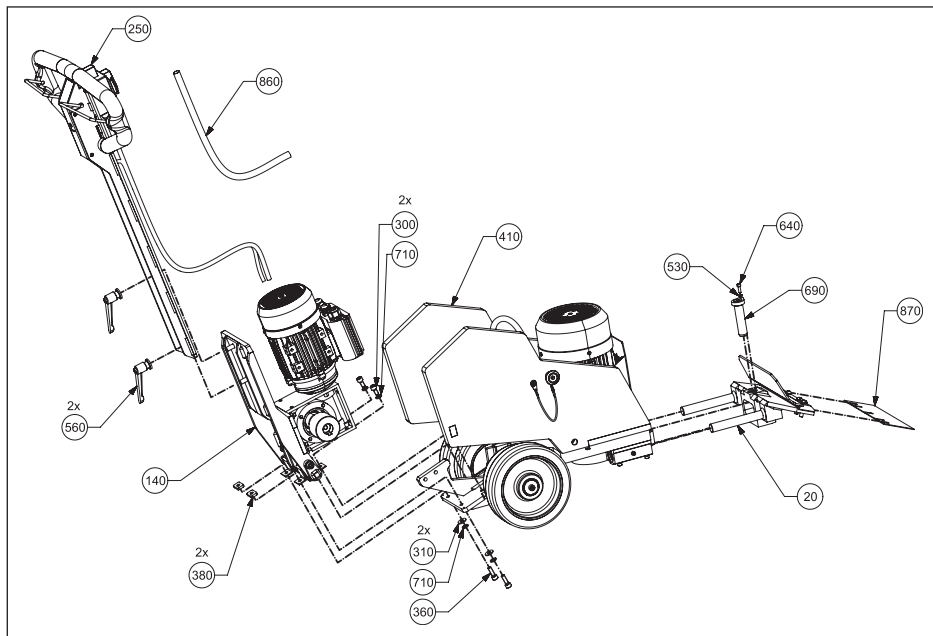
LISTA DE REPUESTOS



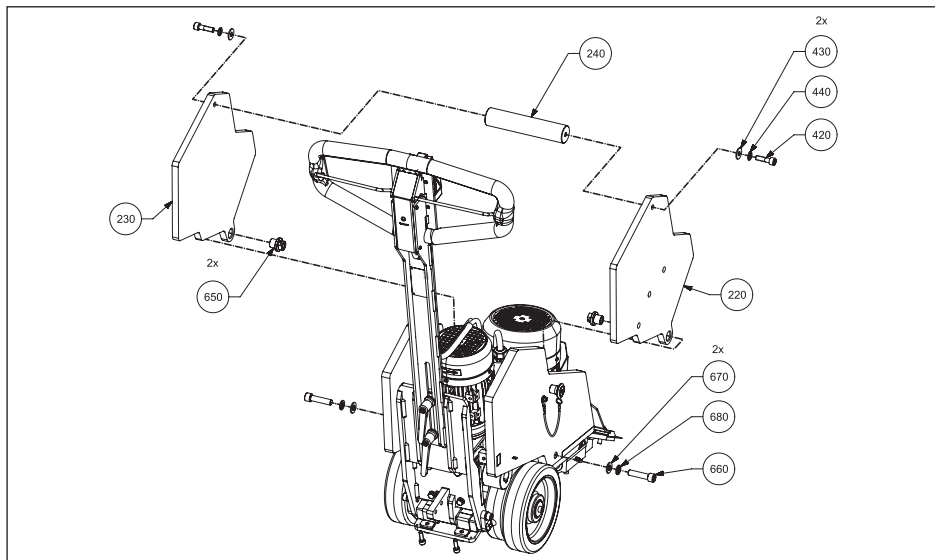
Use únicamente piezas de repuesto originales de Von Arx EOOD o las piezas de repuesto indicadas en la lista de piezas.

Raspador de suelos SC-25

Versiones de la máquina: **A) - 800074:** 230 V/50 Hz, **B) - 800081:** 115 V/50 Hz, **C) - 800082:** 230 V/60 Hz

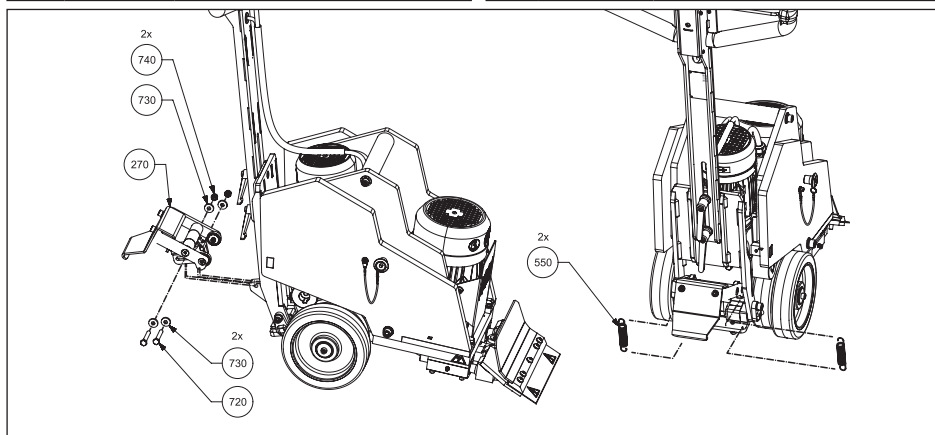


N.º	Artículo	Nombre de la pieza	V. de la máquina	N.º	Artículo	Nombre de la pieza	V. de la máquina
250	400083	JUEGO DE MANILLARES	A	640	100595	TORNILLO	
250	400509	JUEGO DE MANILLARES	B	870	400123	CUCHILLA	
250	400514	JUEGO DE MANILLARES	C	20	400024	JUEGO DESLIZANTE	
860	900450	ENVOLTORIO DE CABLE		360	105923	TORNILLO	
300	100286	TORNILLO		710	100618	ARANDELA	
710	100618	ARANDELA		310	300010	ARANDELA	
410	400101	CHASIS	A	380	400099	PLACA	
410	400510	CHASIS	B	140	400151	JUEGO DE MANILLARES	A
410	400511	CHASIS	C	140	400506	JUEGO DE MANILLARES	B
530	104727	ARANDELA		140	400507	JUEGO DE MANILLARES	C



N.º	Artículo	Nombre de la pieza
240	400081	MANILLAR
430	300015	ARANDELA
440	104715	ARANDELA
420	300018	TORNILLO
220	400079	LADO DERECHO

N.º	Artículo	Nombre de la pieza
670	100129	ARANDELA
680	110537	ARANDELA
660	300101	TORNILLO
650	400154	BUJE
230	400078	LADO IZQUIERDO



N.º	Artículo	Nombre de la pieza
740	100263	TUERCA
730	300086	ARANDELA
270	400089	PALANCA

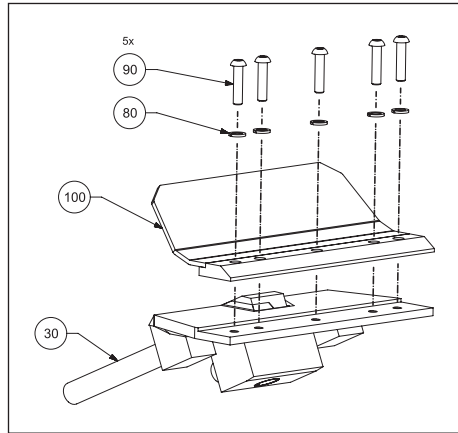
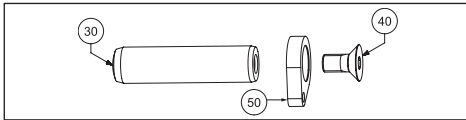
N.º	Artículo	Nombre de la pieza
720	109740	TORNILLO
550	400122	RESORTE

Juego deslizante

N.º	Artículo	Nombre de la pieza
30	400034	PORTACUCHILLAS
80	100618	ARANDELA
90	300178	TORNILLO
100	400183	AMORTIGUADOR

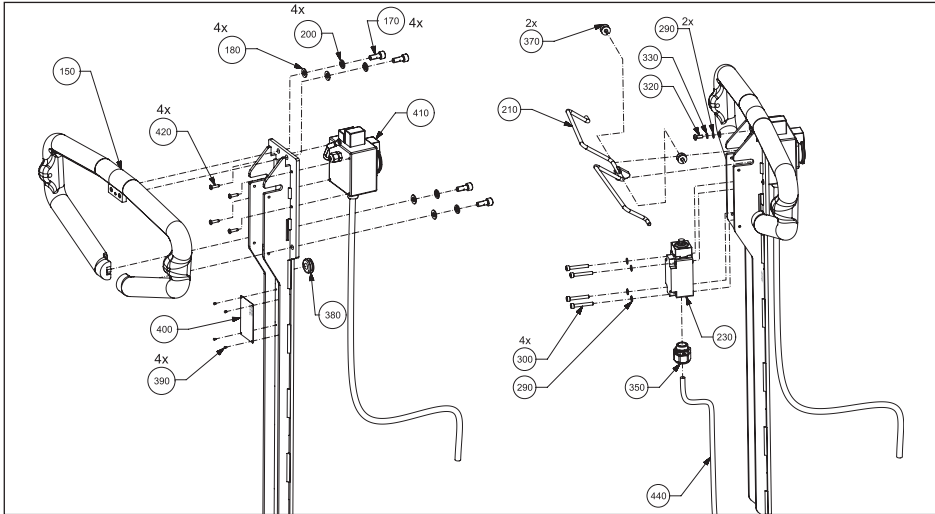
Clavija: Juego deslizante

N.º	Artículo	Nombre de la pieza
30	400034	PORTACUCHILLAS
80	100618	ARANDELA
90	300178	TORNILLO



Juego de manillares superior

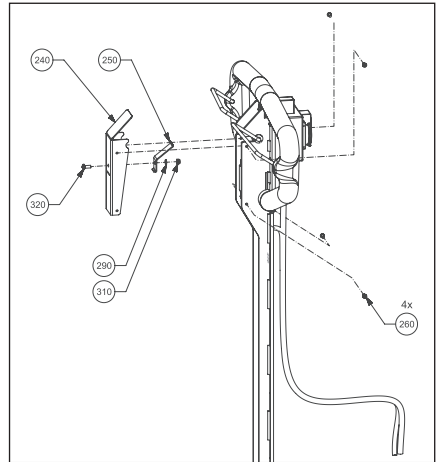
Versiones de la máquina: **A) - 800074:** 230 V / 50 Hz, **B) - 800082:** 230 V/60 Hz



N.º	Artículo	Nombre de la pieza
110	400131	JUEGO DE MANILLARES
150	400197	MANILLAR
170	100598	TORNILLO
180	101670	ARANDELA
200	100618	ARANDELA
210	400199	PALANCA
230	900402	INTERRUPTOR
290	100609	ARANDELA
300	103562	TORNILLO

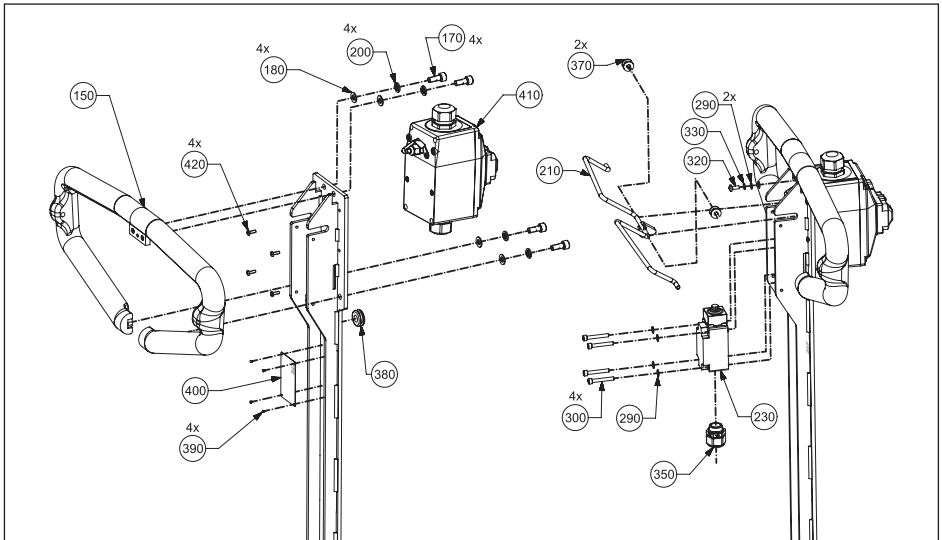
N.º	Artículo	Nombre de la pieza	V. de la máquina
330	104727	ARANDELA	
350	114813	SUJETA CABLE	
370	400209	BUJE	
380	300164	OJAL ABIERTO	
390	300165	TORNILLO	
400	703559	PLACA	
410	400270	INTERRUPTOR (400083) A	
410	400515	INTERRUPTOR (400514) B	
420	300083	TORNILLO	

N.º	Artículo	Nombre de la pieza
240	400147	TAPA
250	400148	RESORTE
260	300094	TORNILLO
290	100609	ARANDELA
310	106665	TUERCA
320	300085	TORNILLO



Juego de manillares superior

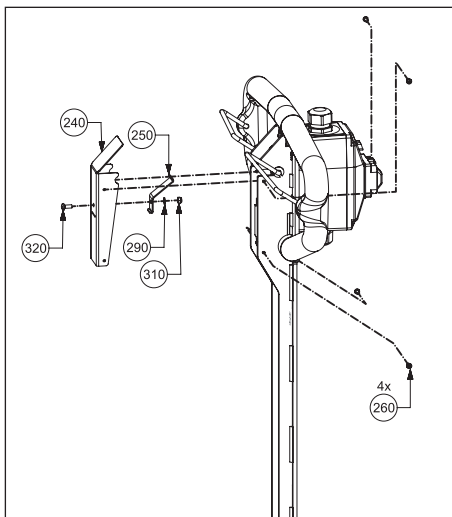
Versión de la máquina: **800081**: 115 V/50 Hz



N.º	Artículo	Nombre de la pieza
110	400131	JUEGO DE MANILLARES
150	400197	MANILLAR
170	100598	TORNILLO
180	101670	ARANDELA
200	100618	ARANDELA
210	400199	PALANCA
230	900402	INTERRUPTOR
300	103562	TORNILLO

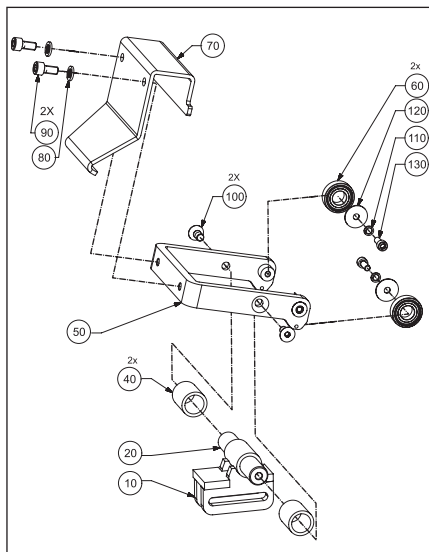
N.º	Artículo	Nombre de la pieza
330	104727	ARANDELA
350	114813	SUJETA CABLE
370	400209	BUJE
380	300164	OJAL ABIERTO
390	300165	TORNILLO
400	703559	PLACA
410	400508	INTERRUPTOR
420	300084	TORNILLO

N.º	Artículo	Nombre de la pieza
240	400147	TAPA
250	400148	RESORTE
260	300094	TORNILLO
290	100609	ARANDELA
310	106665	TUERCA
320	300085	TORNILLO



Palanca: Ajuste de accionamiento

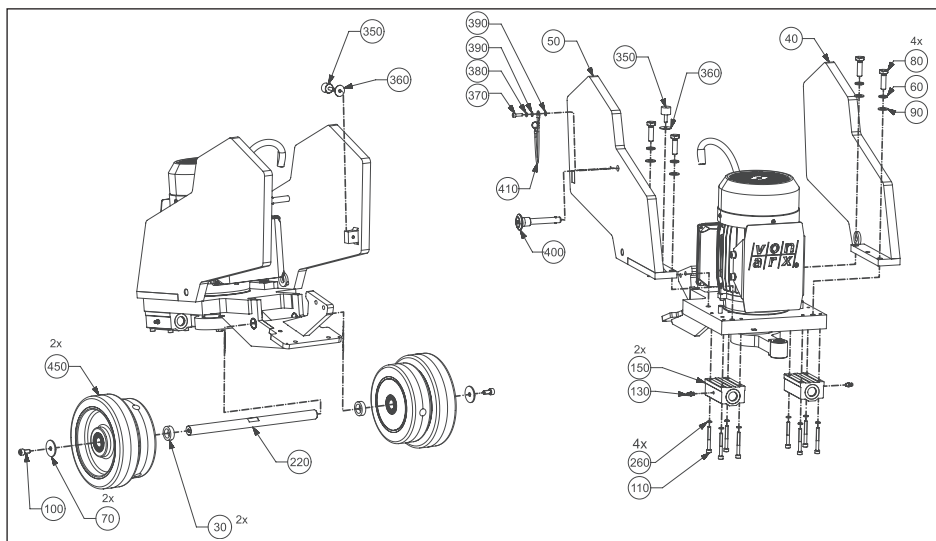
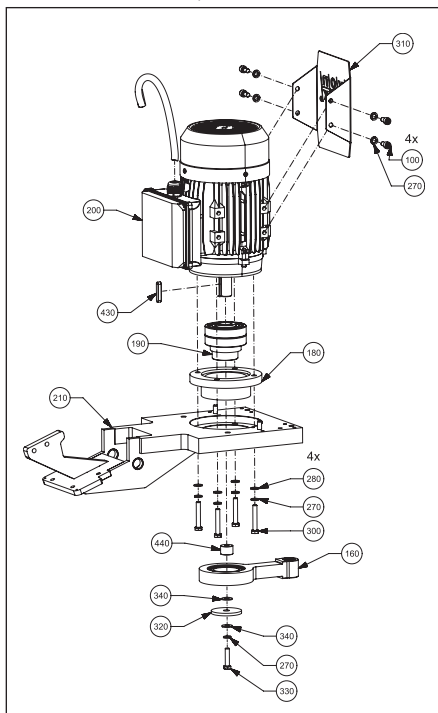
N.º	Artículo	Nombre de la pieza
10	400086	SOPORTE
20	400090	VÁSTAGO
40	400092	ESPACIADOR
50	400094	PALANCA
60	300042	RODAMIENTO
70	400100	PLACA
80	100618	ARANDELA
90	100286	TORNILLO
100	101669	TORNILLO
110	100302	ARANDELA
120	300103	ARANDELA
130	100301	TORNILLO



Chasis

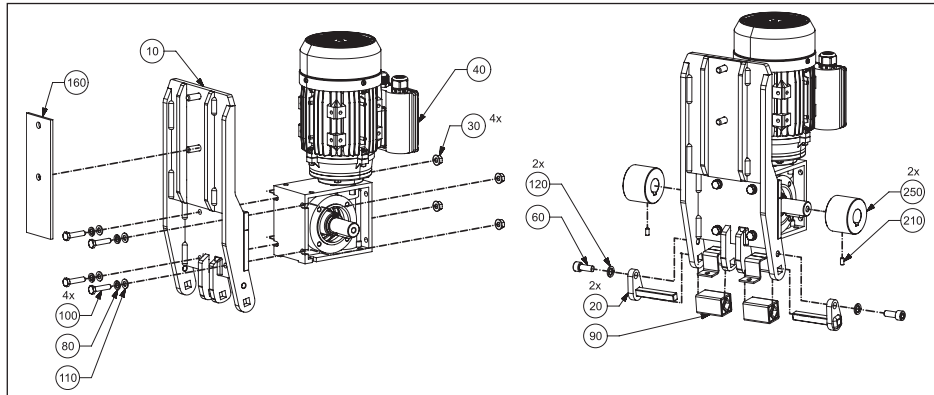
Versiones de la máquina: **A) - 800074:** 230 V / 50 Hz, **B) - 800081:** 115 V / 50 Hz, **C) - 800082:** 230 V/60 Hz

N.º	Artículo	Nombre de la pieza	V. de la máquina
30	400063	ESPACIADOR	
40	400064	LADO IZQUIERDO	
50	400068	LADO DERECHO	
130	300046	BOQUILLA DE ACEITE	
150	300045	RODAMIENTO LINEAL	
180	400062	INSERTO	
190	400059	ECCENTER	
200	900307	MOTOR ELÉCTRICO (400101)	A
200	900435	MOTOR ELÉCTRICO (400510)	B
200	900627	MOTOR ELÉCTRICO (400511)	C
210	400195	MARCO BASE	
220	400052	EJE	
320	400155	ARANDELA	
340	300010	ARANDELA	
350	300107	AMORTIGUADOR DE GOMA	
360	300103	ARANDELA	
370	100595	TORNILLO	
380	104727	ARANDELA	
390	100609	ARANDELA	
400	300108	CLAVIJA DE BLOQUEO	
410	300099	CABLE DE RETENCIÓN	
440	400200	ESPACIADOR	
450	400241	RUEDA	
100	100286	TORNILLO	
270	100618	ARANDELA	
430	108006	LLAVE PARALELA	



Juego de manillares inferior

Versiones de la máquina: **A) - 800074:** 230 V / 50 Hz, **B) - 800081:** 115 V / 50 Hz, **C) - 800082:** 230 V/60 Hz



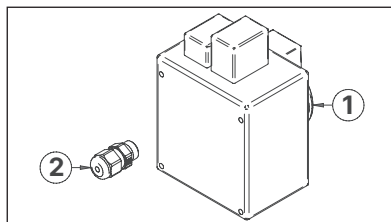
N.º	Artículo	Nombre de la pieza	V. de la máquina
250	400189	RUEDA	
240	300043	SOPORTE	
10	400071	JUEGO DE MANILLARES	
90	300044	SUSPENSIÓN	
40	400139	MOTOR ELÉCTRICO (400151)	A
40	400504	MOTOR ELÉCTRICO (400506)	B
40	400505	MOTOR ELÉCTRICO (400507)	C
120	104715	ARANDELA	

N.º	Artículo	Nombre de la pieza
60	300006	TORNILLO
20	400152	EJE
80	100618	ARANDELA
30	300089	TUERCA
100	106706	TORNILLO
110	101670	ARANDELA
160	400124	ADAPTADOR
210	300013	TORNILLO DE FIJACIÓN

Interruptor eléctrico montado

Versiones de la máquina: **A) - 800074:** 230 V / 50 Hz, **B) - 800082:** 230 V/60 Hz

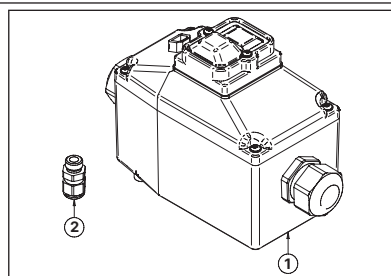
N.º	Artículo	Nombre de la pieza	V. de la máquina
1	109373	INTERRUPTOR MONTADO 230 V (400270)	A
1	900057	INTERRUPTOR MONTADO 230 V (400515)	B
2	300071	PRENSAESTOPAS ROSCADO M12 PLAST	



Interruptor eléctrico montado

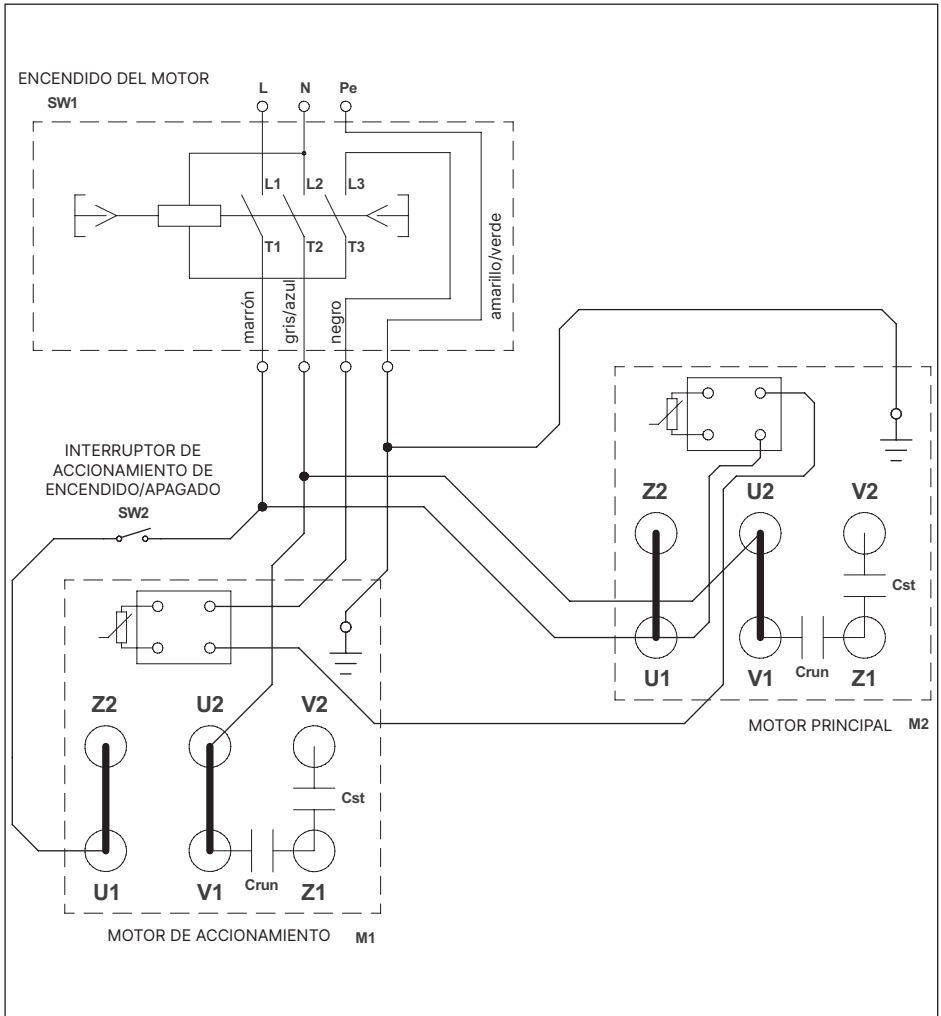
Versión de la máquina: **800081:** 115 V/50 Hz

N.º	Artículo	Nombre de la pieza
1	900282	INTERRUPTOR MONTADO 115 V (400508)
2	300071	PRENSAESTOPAS ROSCADO M12 PLAST



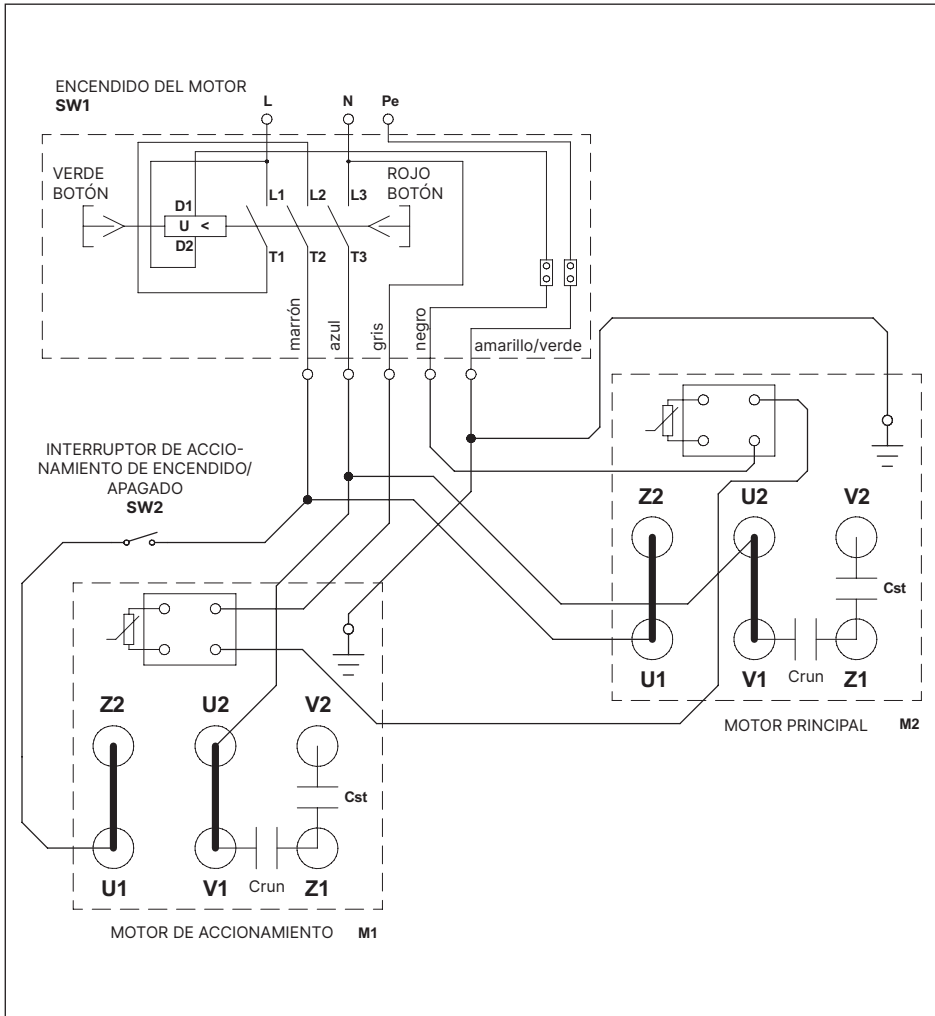
Sistema eléctrico

Versiones de la máquina: **A) - 800074:** 230 V / 50 Hz, **B) - 800082:** 230 V/60 Hz



Sistema eléctrico

Versión de la máquina: **800081**: 115 V/50 Hz



GARANTÍA

Von Arx EOOD garantiza el perfecto funcionamiento de la unidad durante un período de 24 meses a partir de la fecha de la compra. Si el producto se usa en funcionamiento por turnos, este período de garantía se reduce a la mitad.

Von Arx EOOD comprueba todas las unidades para asegurarse de que estén completas y funcionen correctamente antes de salir de la fábrica.

El cliente debe revisar la máquina para detectar cualquier defecto o daño durante el traslado inmediatamente después de recibirla y debe informar al centro de ventas y al transportista de cualquier daño o defecto sin demora.

Von Arx EOOD se compromete a corregir todas las averías que se demuestren que se deben a materiales o mano de obra defectuosos dentro del período de garantía establecido lo más rápido posible, o coordinará la reparación a través de un centro de servicio y ventas oficial de Von Arx.

No se aceptará responsabilidad alguna por daños debidos a un manejo incorrecto, al incumplimiento de estas Instrucciones de manejo, a la sobrecarga, al uso inadecuado, al mantenimiento incorrecto o al desgaste natural. Las reparaciones o modificaciones realizadas por el comprador o terceros sin nuestra autorización por escrito son responsabilidad del cliente y anulan inmediatamente nuestra garantía.

Además, no se puede considerar ningún reclamo bajo la garantía si se usan piezas distintas de las fabricadas o recomendadas por Von Arx EOOD.

Las cuchillas son piezas sujetas a desgaste y, debido a esto, no están cubiertas por la garantía.

Von Arx EOOD no se hace responsable de los daños y perjuicios sufridos por el comprador directa o indirectamente (pérdida emergente, lucro cesante, costos adicionales, etc.).

Las piezas compradas, como máquinas, motores, interruptores, etc., están garantizadas dentro de la determinación de garantía de los proveedores correspondientes.

Para demostrar la calificación para una garantía, se necesita la tarjeta de garantía y la factura comercial correspondiente de su centro de ventas.

DECLARACIÓN DE CONFORMIDAD CE

en el sentido de la directiva de máquinas CE 2006/42/CE

Declaramos que la herramienta que se enumera a continuación cumple con los requisitos básicos de salud y seguridad relevantes de la Directiva de la CE en cuanto a su diseño y construcción y con el modelo comercializado por nuestra empresa. Cualquier modificación de la herramienta sin nuestro consentimiento anula esta Declaración.

Normas aplicadas:

EN ISO 12100:2011, EN 60204-1:2019

Designación de la unidad:

Máquina raspadora de suelos

Tipo

SC 25 (230 V, 115 V)

Von Arx EOOD, 4000 Plovdiv/Bulgaria**Fredrik Åkermark**

Propietario

Plovdiv, 13 de septiembre de 2021

Responsable de la documentación técnica:

Ing. Maria Spasova

Fabricante

Von Arx EOOD

Nedyalka Shileva 20 str.

4000 Plovdiv, Bulgaria

Tel: +359 32 94 05 53

Correo electrónico: order@vonarx.com

www.vonarx.com



