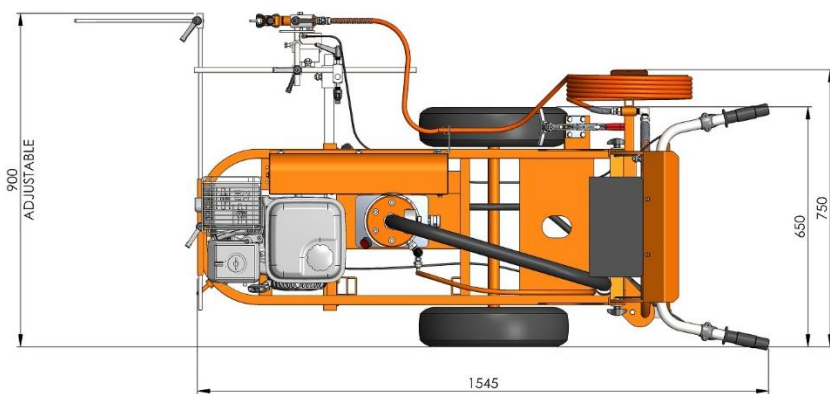


# AR30PRO/AR30PRO-H TECHNICAL DATA SHEET

(airless road marking machine)



<b>MODEL</b>	<b>AR30PRO/AR30PRO-H</b>
Technology	AIRLESS
Guns:	from 1 to 2
Max line width:	50 cm ( <i>achievable only with proper optional equipment</i> )
Sprayable products:	not refractive paints, specifically formulated for airless application
Dimensions	1545x750x h1005 mm
Weight	110 Kg



<b>STANDARD CONFIGURATION</b>	
Gasoline engine: 6 HP (AR30PRO)	HONDA GX200 (AR30PRO-H)
Hand push	
Airless diaphragm pump 5,9 l/min	
1 removable paint gun with nozzle for line 10-15 cm	
Swivel front wheel	

Images are not contractual.

cod.	OPTIONAL
KITELAR30	» Kit electric motor one-phase 3HP 230V 50Hz with support
HMC-B/HMC-H	» HMC Hydraulic Motorized Chariot. <i>To transform the push machine in a machine with drive</i>
HMC-AV	» HMC-AV Battery-powered electric Motorized Chariot. <i>To transform the push machine in a machine with drive</i>
FVAPZ	» High-pressure paint filter
2PAR30	» Second manual paint gun with kit of cocks, hose, support and lever control
SU00220	» Gun support with swivel wheel
DISPERLAR30-20	» Gravity glass bead system: tank 24 l with 1 dispenser 15 cm (adjustable for 12 and 15 cm)
DISPERLAR30-1515	» Gravity glass bead system: tank 24 l with 2 dispensers 15 cm (adjustable for 12 and 15 cm). <i>For 2 lines</i>
DISPERLAR30-30	» Gravity glass bead system : tank 24 l with 1 dispenser 30 cm (adjustable for 12, 15, 20, 25 and 30 cm)
PL00199	» 50 l plastic bucket for paint
	» Nozzle for line 5 cm; nozzle for line 15-20 cm; nozzle for line 20-25 cm
	» Nozzle for surfaces 15 cm; nozzle for surfaces 20 cm; nozzle for surfaces 25 cm; nozzle for surfaces 35 cm

**MADE IN ITALY**



Macchine Traccialinee Marking Machines

Gravity glass bead tank  
24 l  
»optional«

Airless diaphragm pump  
5,9 l/min

Engine 6 HP (AR30PRO machine).  
In a few minutes you can quickly  
replace gasoline engine with electric  
motor.

Holder  
for paint bucket

Swivel front wheel.

Can be locked and unlocked during the work by a mechanical lever control on the handlebar



Paint gun on line striper (for line).  
Can be removed and used as manual gun  
(for stenciling)



Glass bead dispenser  
30 cm  
»optional«

Gun support with swivel wheel,  
follows the road, ensuring  
more uniformity to the line  
»optional«

