

GLASS BEAD GUN WITH ATOMIZING AIR

This gun is equipped with a hard chromium plated closing piston. It can be fed with glass beads either by gravity or from a pressurized tank.

CONNECTIONS:

Opening air	1/4 "
Atomizing air	3/8 "
Ø passage of beads	27 mm

BEAD NOZZLE:

Ø 5 to 18 mm

AIR NOZZLE:

Ø 0.8 to 2.5 mm

DIFFUSER

The gun is equipped with an adjustable (orientation and width) diffuser to spread the glass beads equally over a wide line up to 30 cm. It has a stiffening plate in carbide to increase its lifetime. This can be easily replaced when it wears out. The diffuser can be equipped with a glass bead sensor to avoid having a line without glass beads. This sensor is connected to an electronic device, which manages the gun(s) in action and the alarms (on request).

RECOMMENDATIONS

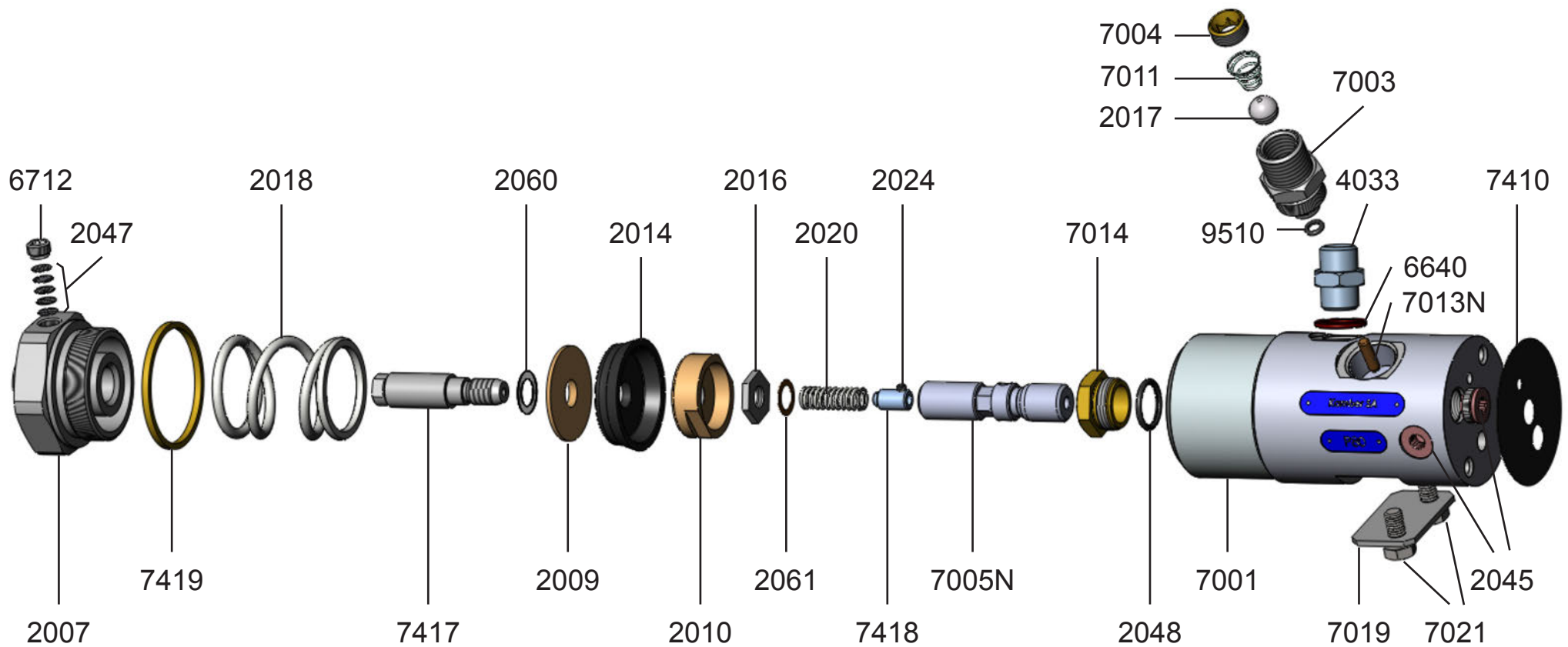
- Block the suction tube when feeding by pressurized tank
- For air connection, use rather a Ø 8 mm hose
- Use an opening air pressure of 6 bar (87 psi)

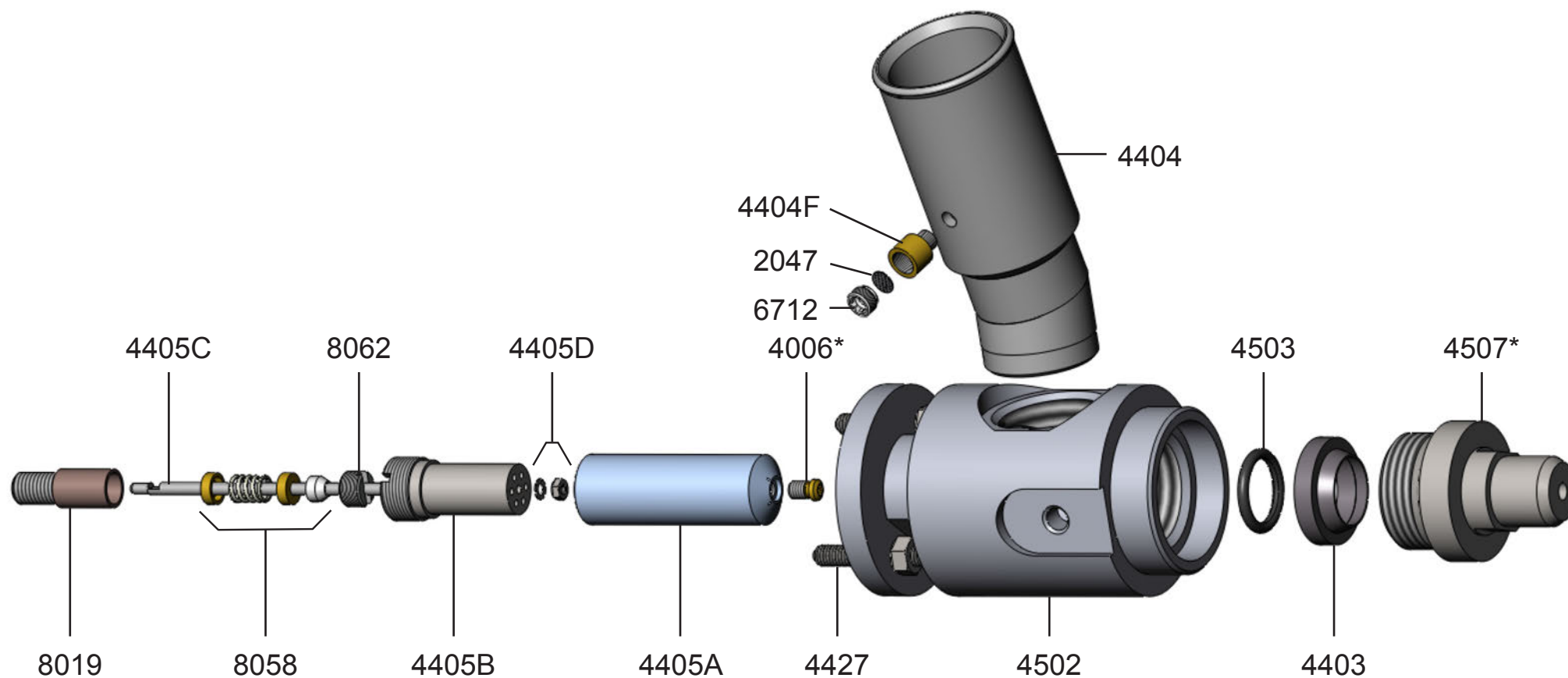
SPECIFICATIONS

	WITHOUT DIFFUSER	WITH DIFFUSER
Dimensions:	250 x 60 mm	360 x 60 mm
Weight:	3.4 kg	4.2 kg

Edwin Kamber SA reserves the right to change at any time this information







- *Indiquer N° ou Ø
- *Indicate no. or Ø
- *Indicar n.° o Ø
- *Nr. oder Ø angeben

7515B

