



HIGH PRESSURE PAINT GUN WITHOUT ATOMIZING AIR

This paint gun is compatible with all kinds of products thanks to its paint circuit made of stainless steel. It has a unique pneumatic closing system to guarantee very fast closing action. It is perfectly adapted to small machines.

CONNECTIONS:

Opening air	1/8 "
Closing air	1/8 "
Paint inlet	3/8 "
Ø passage of paint	8 mm

PAINT NOZZLE:

Ø 3.2 mm in carbide

EXTERNAL NOZZLES

A wide choice of external nozzles, only in tungsten carbide, is available to meet all your needs in line width and performance. For this gun, there are flat nozzles or reversible nozzles available. The guard of the reversible nozzle is compatible with all existing switch tips brands. The choice of the external nozzle depends on the kind of work to be done (please ask us for the choice of the diameter and the spraying angle).

An adjustable ramp can be fixed on the gun for lines up to 60 cm (option). Bigger widths are possible on request. This option is very useful for marking on crosswalks and airports.

RECOMMENDATIONS

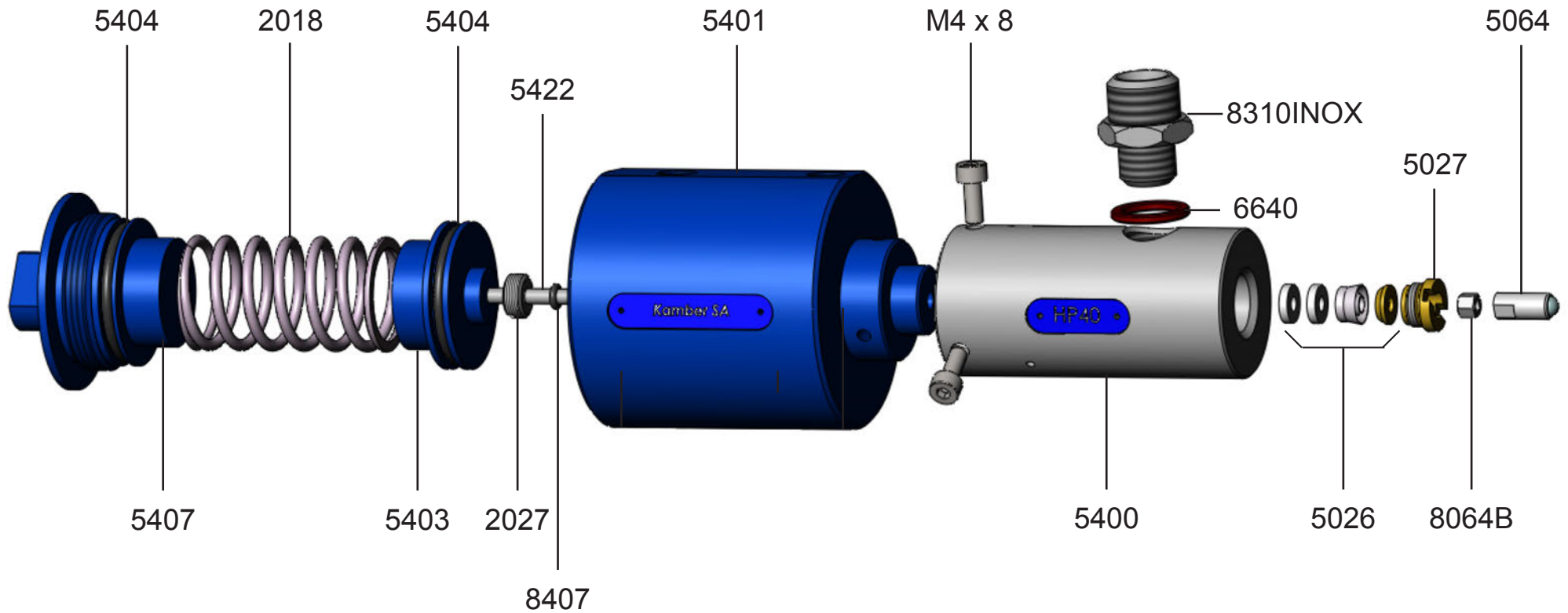
- For paint connection, use only a hose that can tolerate a working pressure of 300 bar (4350 psi)
- Use a constant opening air pressure of at least 2.5 bar (36 psi)

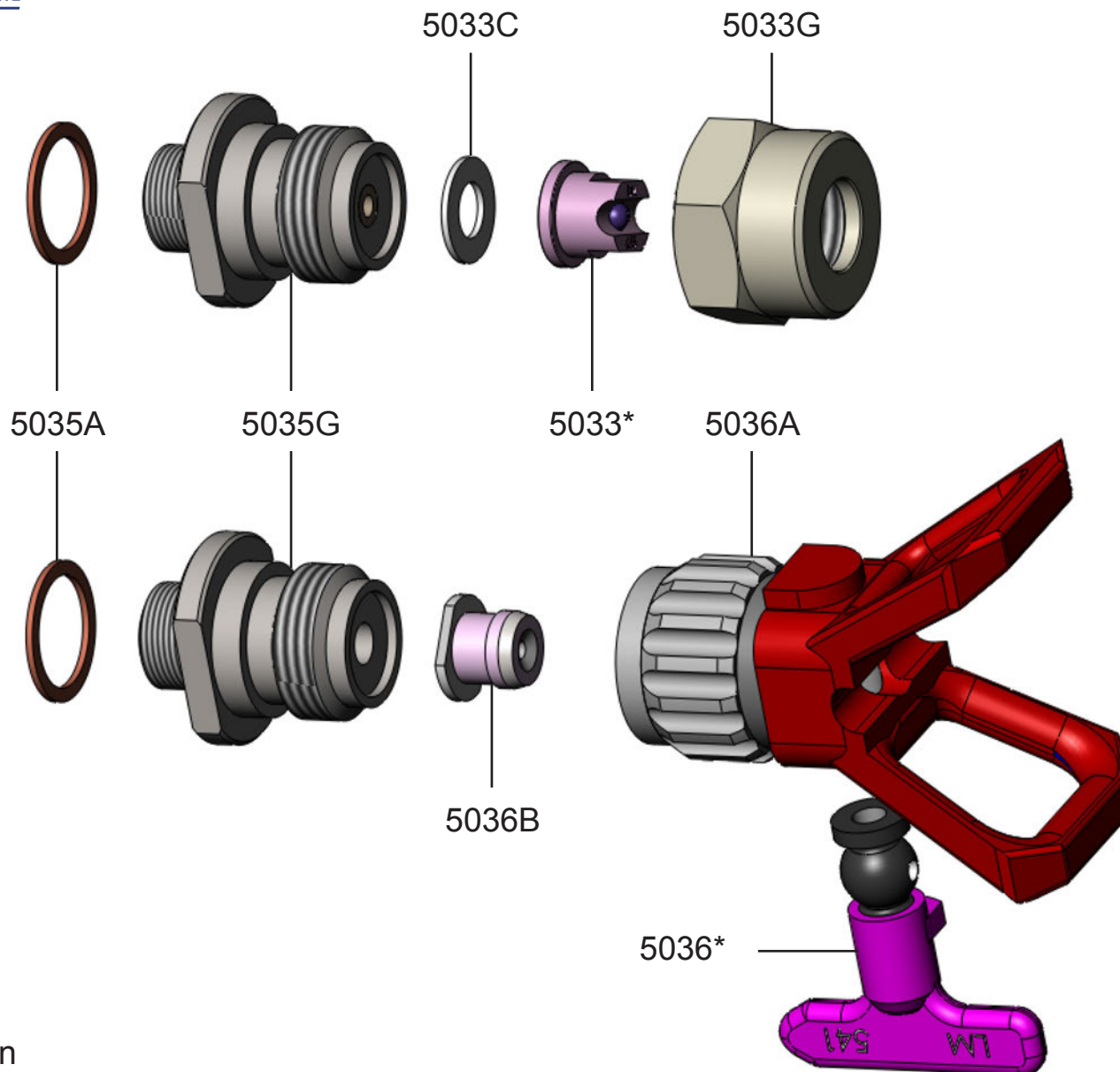
SPECIFICATIONS

Dimensions:	181 x 60 mm
Weight:	1.0 kg

Edwin Kamber SA reserves the right to change at any time this information







- *Indiquer N° ou Ø
- *Indicate no. or Ø
- *Indicar n.° o Ø
- *Nr. oder Ø angeben