



## LOW PRESSURE PAINT GUN WITHOUT ATOMIZING AIR

This paint gun, completely made of stainless steel, is compatible with all kinds of products.

### CONNECTIONS:

Opening air	1/4 "
Paint inlet	3/8 "
Ø passage of paint	11 mm

### PAINT NOZZLE:

Ø 2 to 3 mm

### EXTERNAL NOZZLES

A wide choice of external nozzles only in stainless steel is available, to meet all your needs in line width, spraying angle and performance. The choice of the external nozzle depends mostly on the work load and on the diameter of the paint nozzle (see the list of nozzles on our website + more on request).

### APPLICATION

This gun is perfectly adapted for all kinds of fluids (lacquer, primer, oil, acidic solution, hardener). It can also be used for pre-marking work.

### RECOMMENDATIONS

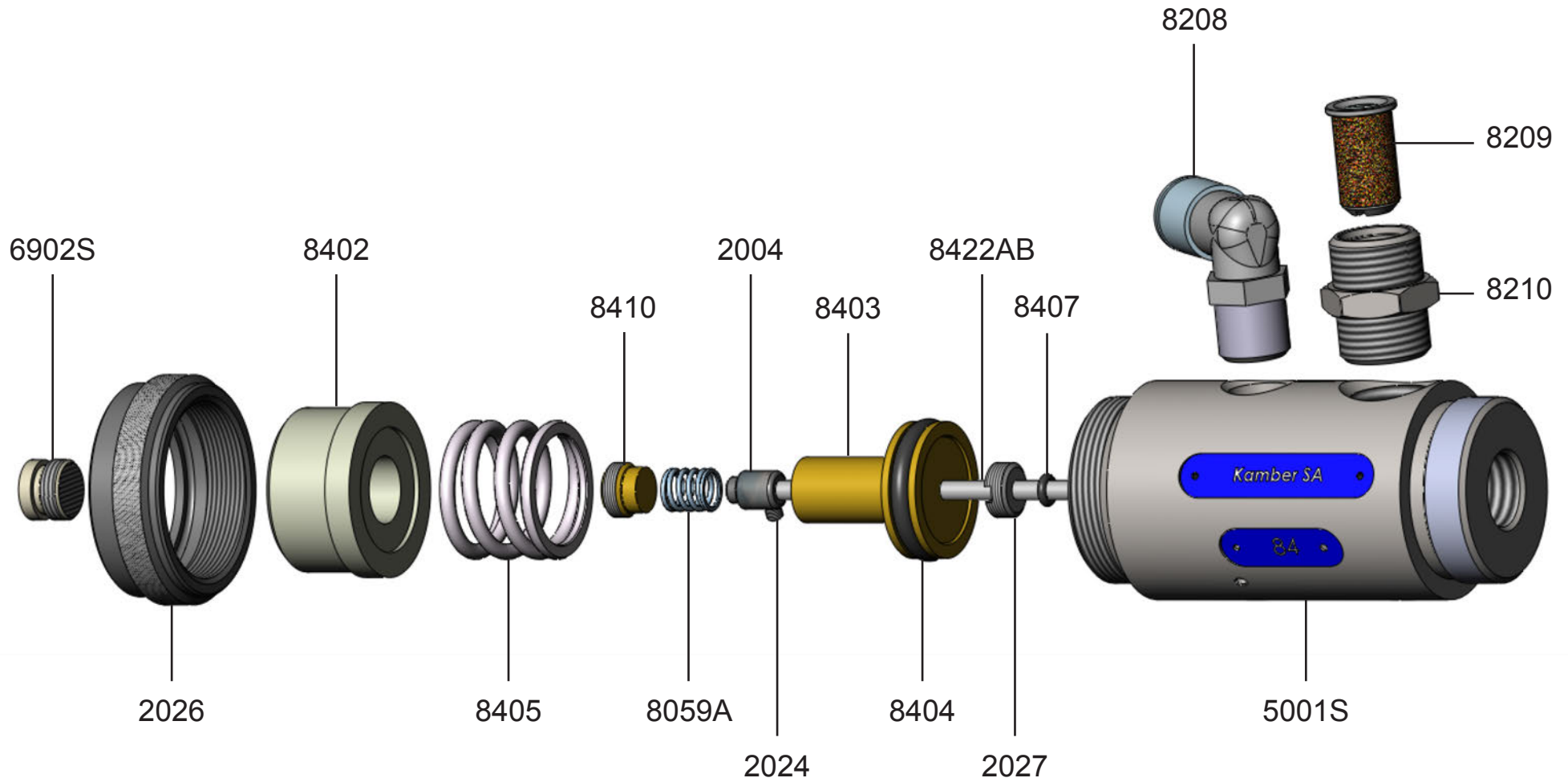
- For paint connection, use a hose with inner Ø of at least 13 mm
- Use an opening air pressure of 4 to 6 bar (58 to 87 psi)
- Use a pressure of at least 3.5 bar (50 psi) in the paint tank

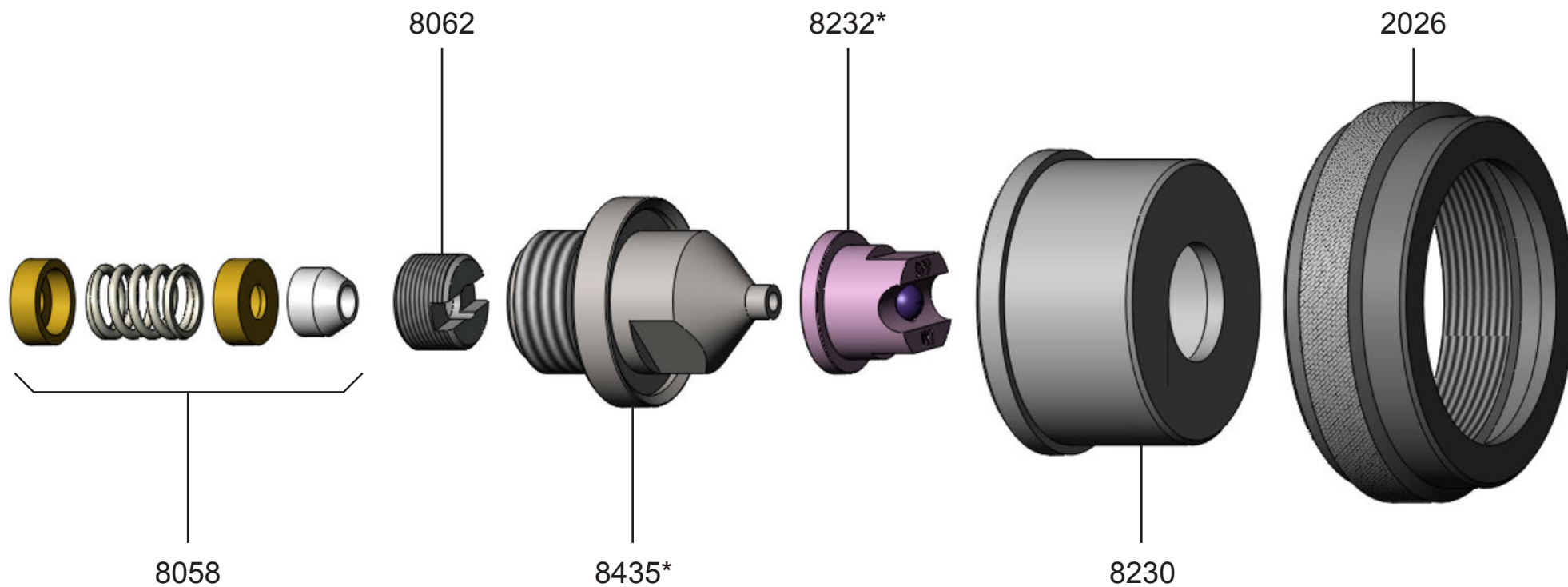
### SPECIFICATIONS

Dimensions:	130 x 60 mm
Weight:	0.9 kg

Edwin Kamber SA reserves the right to change at any time this information







- \*Indiquer N° ou Ø
- \*Indicate no. or Ø
- \*Indicar n.° o Ø
- \*Nr. oder Ø angeben