



LOW PRESSURE PAINT GUN WITH ATOMIZING AIR

This paint gun is compatible with all kinds of products thanks to its paint circuit made of stainless steel.

CONNECTIONS:

Opening air	1/4 "
Atomizing air	3/8 "
Paint inlet	3/8 "
Ø passage of paint	11.5 mm

PAINT NOZZLE:

Ø 2.8 to 6.8 mm

AIR NOZZLE:

Ø 4.2 to 8.9 mm

EXTERNAL NOZZLES

A wide choice of external nozzles in stainless steel or in carbide is available, to meet all your needs in line width and performance. The carbide nozzles have a much longer durability than the stainless steel ones (about 4 times). The choice of the external nozzle depends on the diameter of the paint nozzle (see the list of nozzles on our website).

An inlet is provided for flushing the head of the gun (recommended for water-based paints). The plug of this inlet will be replaced by a connection (on request). In order to limit the width of the line, a system made of tungsten carbide can be fixed on the gun (option).

RECOMMENDATIONS

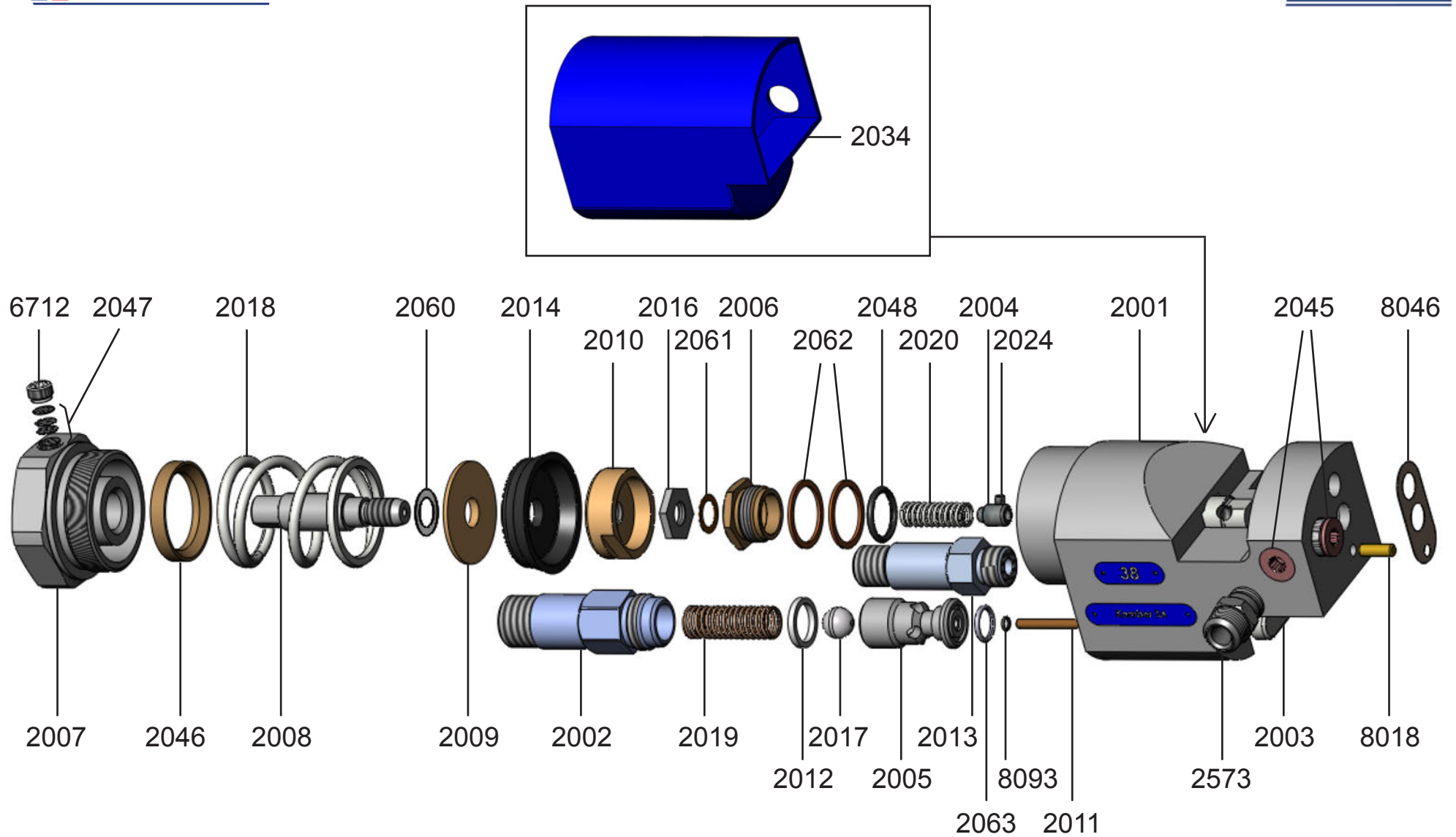
- For paint connection, use a hose with inner Ø of at least 16 mm
- For atomizing air, use a hose with inner Ø of 10 mm
- To get good performance, use an air atomizing pressure lower than the pressure in the tank
- Use an opening air pressure of at least 6 bar (87 psi) and an air atomizing pressure of maximum 5 bar (72 psi)

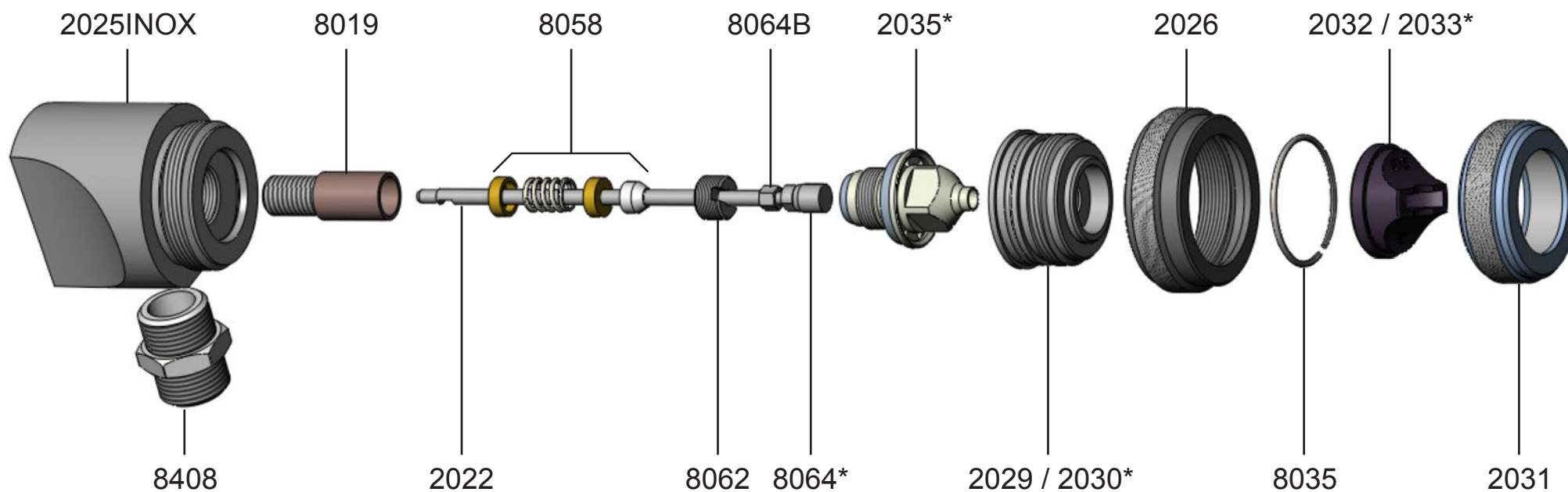
SPECIFICATIONS

Dimensions:	200 x 70 mm
Weight:	2.5 kg

Edwin Kamber SA reserves the right to change at any time this information







- *Indiquer N° ou Ø
- *Indicate no. or Ø
- *Indicar n.° o Ø
- *Nr. oder Ø angeben

NOZZLES LIST

Set of nozzles	A	B	C	D	E	F
Needle Ø Article no.	2.5 2021A	3.1 2021B	5.0 2022 + 8064CD	5.0	6.5 2022 + 8064E	7.5 2022 + 8064F
Material nozzle Ø Article no.	2.2 2035A	2.8 2035B	3.9 2035C	4.5 2035D	6.0 2035E	6.8 2036F
Air nozzle Ø Carbide = 2029... Stainless steel = 2030... Cone Ø	3.6 A 10	4.2 B 10	5.3 C 10	6.0 D 10	7.45-10 E 7.65-10 E0 7.65-12 E1 8.00-12 E2 (8.25-12) E3	8.90-14 F

Example for gun with set of nozzles E

- Needle: Ø 6.5 (2022 + 8064E)
- Material nozzle: Ø 6.0 (2035E)
- Air nozzle: Ø 7.65-12 (2030E1)
- External nozzle: 2033-27 or 2032-22

						Slot width (mm)	Line width (cm)	Application	
External nozzle No. Stainless steel = 2032- Carbide = 2033-	2 - 2	2 - 2				2.0	8 - 18	normal	
			11			3.0	10 - 16	large output	
				12			2.5	8 - 18	large output
				3 - 3	3 - 3		2.0	10 - 16	normal
				4 - 4	4 - 4		2.0	14 - 25	normal
				5 - 5	5 - 5		2.0	22 - 40	normal
				6 - 6	6 - 6		2.5	10 - 16	large output
				7			2.5	18 - 25	large output
				8			2.5	25 - 40	large output
				50	50		2.0	12 - 18	large output
				51	51		2.5	12 - 18	large output
				52	52		2.0	15 - 25	large output
						20 - 20	2.5	10 - 15	large output
						21	2.5	15 - 23	large output
						22	3.0	15 - 23	very large output
					23	2.5	20 - 40	large output	
					24	2.5	50	normal	
					25 - 25	3.0	10 - 18	very large output	
					27	2.0	20 - 40	large output	
					28	3.0	20 - 40	very large output	
					40	3.0	10 - 16	large output	
					42	3.8	10 - 25	very large output	
					44	3.5	25 - 35	very large output	

Cone	Ø	10	12	14
External nozzle	No.	2, 3, 4, 5, 6, 7, 8, 11, 12, 50, 51	20, 21, 22, 23, 24, 25 27, 28, 52	40, 42, 44