

CMC U13 road marking machine with airless equipment

RMCDItem number:
CMC-U13-AirlessLength:
460 cmWidth:
128 cmHeight:
220 cm

Created on 25.10.2024



Description

Self-propelled airless ride-on road marking machine for work where a very large paint capacity, high marking performance and stability must be guaranteed with a compact 4-wheel ride-on machine. The road marking machine can be individually configured.

Petrol engine:

- 74 hp, water-cooled
- Stage V - Kubota V3307

Equipment:

- Screw compressor 1,987 l/min
- Airless pump with 17.5 l/min
- Reflex glass bead tank with 230 l (max. 0.5 bar)
- Paint tank between 500 liters or 700 liters (splitting into 2 tanks is also possible)
- Liquid hardener tank with 30 liters (max. 3 bar)
- CMC C57 automatic paint gun
- CMC C21 automatic glass bead gun with 6 or 8 mm nozzle
- Automatic liquid hardener gun Kamber 84 with 1.2 mm nozzle

Description

Hydraulic drive with:

- 2 motors directly coupled to rear wheels, drum brakes,
- Stick control forwards, backwards and neutral set - Variable flow pump
- Two speeds - for marking - for transport

Line/gap automat:

- C9000 with pump stroke measurement or

RMCD - Road Marking Control Device

Probably the easiest to operate system for road marking!
With high-resolution color display and the unique RMCD-Drive!

See our YouTube videos and the link to the RMCD website.

Hydraulic oil cooler, 2 parking brakes on the rear wheels integrated into the hydraulics
Servo-assisted steering of the front wheels (adjustable resistance)

Engine cut-off:

when the driver stands up without applying the handbrake
Seat with adjustable position (left / right, forwards / backwards)

Sun canopy

The machine is available in several versions. Please also refer to the document provided.

Spare parts



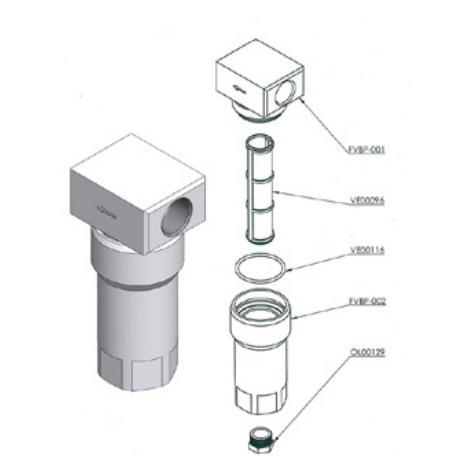
Airless Spray Tip for Stenceling 219

Item number: CMC-200-219



Airless Spray Tip for Line Marking 319

Item number: CMC-202-319



Low pressure color filter FVBP

Item number: CMC-FVBP

Low-pressure color filter made of aluminum suitable for CMC marking machines.

Kein Bild verfügbar!

Bitte beachten Sie die Dokumente unter Downloads / Pdf Docs

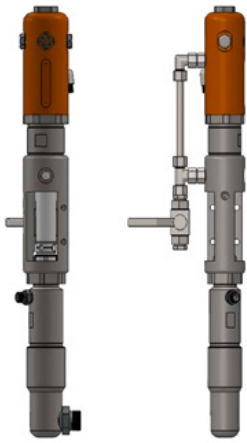
No picture available!

Please have a look for the documents you will find under Downloads / Pdf Docs

Set inner part foot pedal - without housing

Item number: CMC-KIT00014

Spare parts



CMC P20 Airless Pump

Item number: CMC-P20

Suitable for CMC airless pump P20.



Foot pedal for triggering automatic pistols

Item number: CMC-PEDEL



High pressure color filter 60 Mesh

Item number: CMC-VE00062

suitable for CMC marking machine

Length: 145 mm
diameter 25 mm



High pressure paint filter 30 mesh

Item number: CMC-VE00110

suitable for CMC marking machine

Length: 145 mm
Diameter: 25 mm



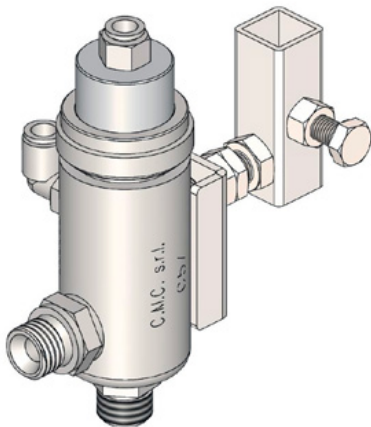
Airless Spray Tip for Stenceling 219

Item number: CMC-200-219



Airless Spray Tip for Line Marking 319

Item number: CMC-202-319

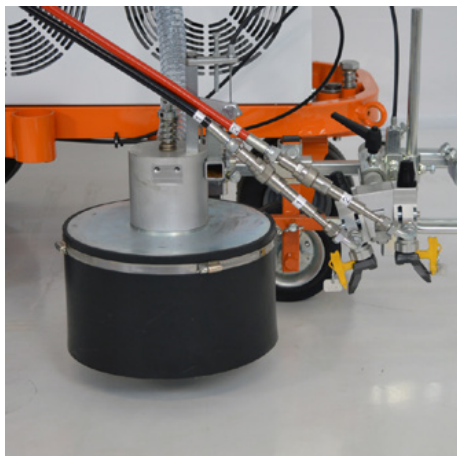


Automatic airless gun - Model C57

Item number: CMC-C57

C57 automatic airless gun

The gun opens and closes by means of pneumatic control.



Glass beads system with conical glass beads spreader

Item number: CMC-DISPERLAR30-CON

Gravity glass bead scattering system with special outlet system.

This prevents the reflex glass beads from blowing away due to the apron and thus reduces the amount of material used.

Accessories/Extensions



Electronic spacing device C8000

Item number: CMC-EL00032

C8000 Line Gap Automatic:

CMC line gap machine for CMC marking machines.

See also the products of RMCD - Road Marking Control Device.



Electronic spacing device with pump stroke measurement C9000

Item number: CMC-EL00039

C9000 - Line Gap Machine

CMC line gap automat with pump stroke measurement for CMC marking machines.

See also the products of RMCD - Road Marking Control Device.



RMCD standard

Item number: RMCD-STD

With the RMCD-Road Marking Control Device STANDARD, we have developed a completely new system for operating road marking machines with greater convenience, based on the RMCD-CAN bus system. The variably configurable system offers a wide range of applications.



Traffic cone 320 mm

Item number: TEM-12303-320 ZR

PVC, 320 mm, 0,64 kg
retroreflective foil
class RA 2