

## Automatic airless spray gun - Model C82i

Item number:  
CMC-C82I

Created on 01.01.2025



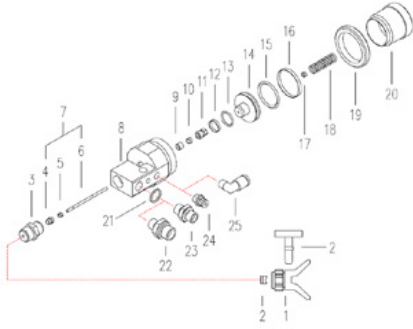
## Description

without holder, without nozzle

# Spare parts

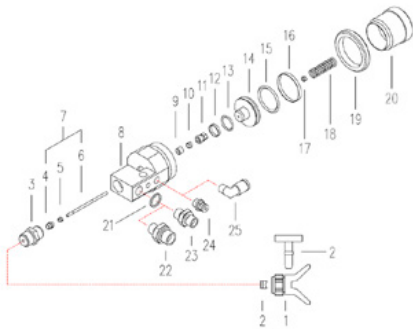
## Piston

Item number: CMC-C82-004



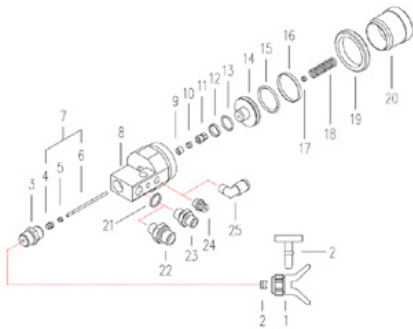
## Packing screw

Item number: CMC-C82-005



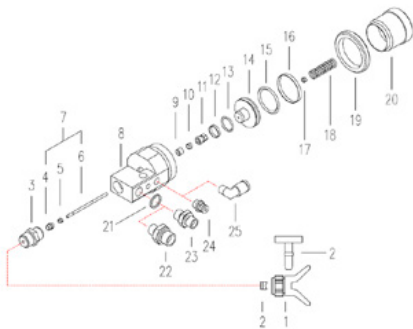
## Pack

Item number: CMC-C82-006



## Pressure wedge

Item number: CMC-C82-007



# Spare parts

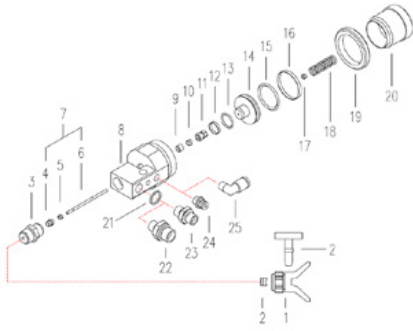
## Valve with nipple

Item number: CMC-C82-011

For attaching the nozzle holder.  
Number 3 in the picture.

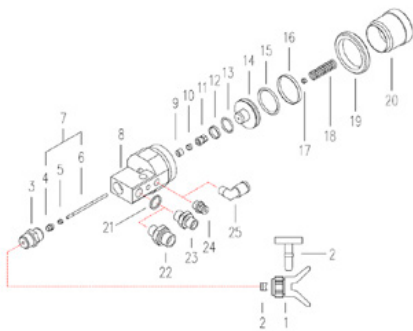
Suitable for the paint guns:

- C82
- C94



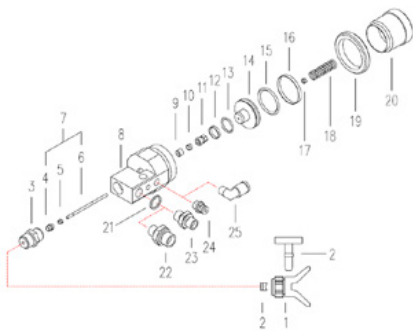
## Ring for lubrication LRC 121

Item number: CMC-C82-015



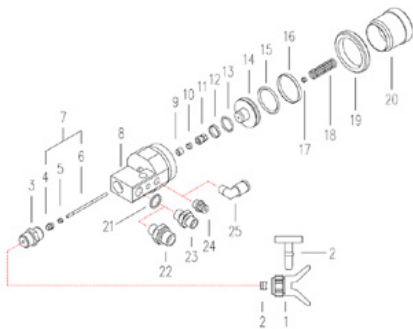
## Sealing ring 121

Item number: CMC-C82-016



## Sealing ring 121

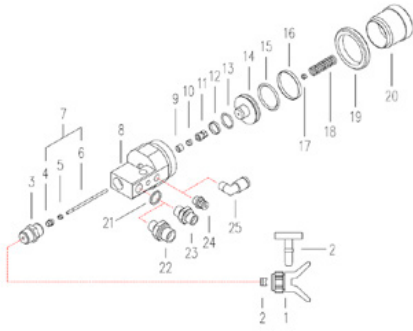
Item number: CMC-C82-017



# Spare parts

## Ring for lubrication LRC 121

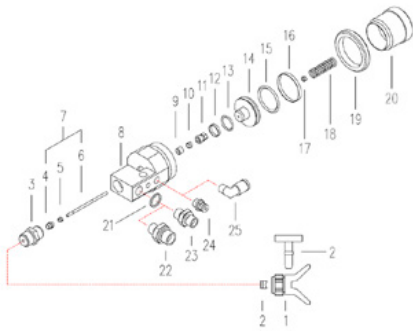
Item number: CMC-C82-018



---

## Nut

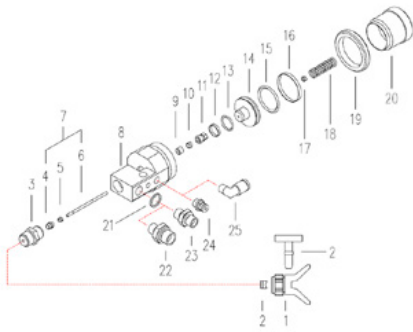
Item number: CMC-C82-019

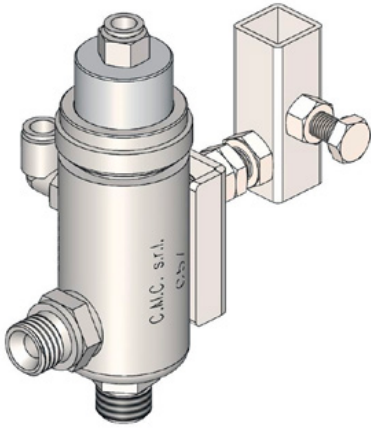


---

## Needle

Item number: CMC-C82-025





## Automatic airless gun - Model C57

Item number: CMC-C57

C57 automatic airless gun

The gun opens and closes by means of pneumatic control.

---