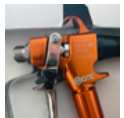


Manual airless gun short - Model C94

Item number:

CMC-C94N

Created on 26.12.2024



Description

Airless gun C94 short.

Connection: 1/4 inch

Without nozzle holder

Without airless nozzle

Spare parts



Paint guns Plug-in filter 100 mesh (yellow)

Item number: BER-2004

Paint gun plug-in filter 100 mesh (yellow).
For filtering the marking paint in the paint spray gun.
Ideal for polyurethane paints.



Paint guns Plug-in filter 50 mesh (white)

Item number: BER-FM2002

Paint spray gun insert filter 50 mesh (white).
For filtering your marking paint in the paint spray gun.



Nozzle holder for airless nozzle 1 1/16 " (17.4 mm) for airless nozzles

Item number: CMC-289391

Nozzle holder 1 1/16 " (17.4 mm) for airless nozzles



Manual Airless gun short - Model C94

Item number: CMC-C94-002

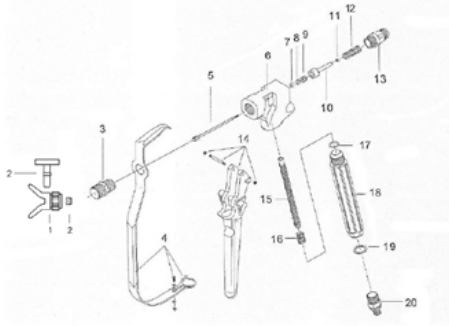
Hand guard for manual airless gun C94

Spare parts

Needle complete with head

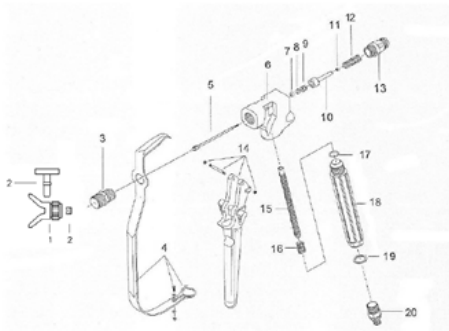
Item number: CMC-C94-004

Gun needle for manual airless gun C94
Number 5 on the picture



C94 Spring for filter

Item number: CMC-C94-012



Swivel fitting 1/4 inch

Item number: CMC-C94-016



Nozzle extension 45 cm

Item number: CMC-C94-017

Nozzle extension 45 cm long for easy application of surfaces or even symbols.



Spare parts



Nozzle extension 60 cm

Item number: CMC-C94-018

Nozzle extension 60 cm long for easy application of surfaces or even symbols.



High pressure paint hose 1/4" 10 meter

Item number: CMC-TVAPR1/410MT

High-pressure paint hose

Length: 10 meters

Connection: 1/4 inch

Accessories/Extensions



Nozzle holder for airless nozzle 1 1/16 " (17.4 mm) for airless nozzles

Item number: CMC-289391

Nozzle holder 1 1/16 " (17.4 mm) for airless nozzles



Manual Paint gun Short C94 including 10 m Hose and Extension

Item number: CMC-C94+P+10H

In order to also be able to carry out area markings over greater distances.

Including 45 cm nozzle extension



Nozzle extension 45 cm

Item number: CMC-C94-017

Nozzle extension 45 cm long for easy application of surfaces or even symbols.



Nozzle extension 60 cm

Item number: CMC-C94-018

Nozzle extension 60 cm long for easy application of surfaces or even symbols.
